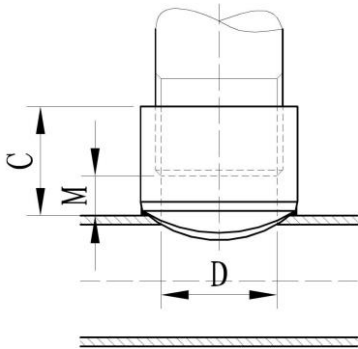


WELDED OUTLET

WT01 Welded Outlet (Female Threaded)

- **Size Range:** 1/2" Through 2 1/2"
- **Material:** Carbon Steel
- **Connections:** NPT or BSPT Female Threaded
- **UL/ULC Listed**



Outlet Size		Dimensions						
Nominal Size		O.D.	Header Size		C	D	M	Wt.
NPS	DN	mm	NPS	DN	mm	mm	mm	kg
1/2"	15	21.3	1"~1 1/2"	25~40	27	17	14	0.10
			2"~2 1/2"	50~65	27	17	14	0.10
			3"~8"	80~200	27	17	14	0.10
3/4"	20	26.9	1"~1 1/2"	25~40	29	22	15	0.10
			2"~2 1/2"	50~65	29	22	15	0.10
			3"~8"	80~200	29	22	15	0.10
1"	25	33.7	1 1/4"~1 1/2"	32~40	32	28	15	0.11
			2"~2 1/2"	50~65	32	28	15	0.11
			3"~4"	80~100	32	28	15	0.11
			5"~8"	125~200	32	28	15	0.11
1 1/4"	32	42.4	1 1/2"	40	35	37	16	0.16
			2"	50	35	37	16	0.15
			2 1/2"	65	35	37	16	0.15
			3"~4"	80~100	35	37	16	0.15
1 1/2"	40	48.3	5"~8"	125~200	35	37	16	0.15
			2"	50	41	43	22	0.26
			2 1/2"	65	41	43	22	0.26
			3"~4"	80~100	41	43	22	0.25
2"	50	60.3	5"~8"	125~200	41	43	22	0.25
			2-1/2"	65	44	55	21	0.81
			3"	80	44	55	21	0.81
			4"	100	44	55	21	0.81
			5"	125	44	55	21	0.81
2 1/2"	65	73.0 (76.1)	6"	150	44	55	21	0.81
			8"	200	44	55	21	0.81
			3"	80	54	66	27	0.85
			4"	100	54	66	27	0.85
			5"	125	54	66	27	0.85
6"	150	54	66	27	0.85			
8"	200	54	66	27	0.85			