

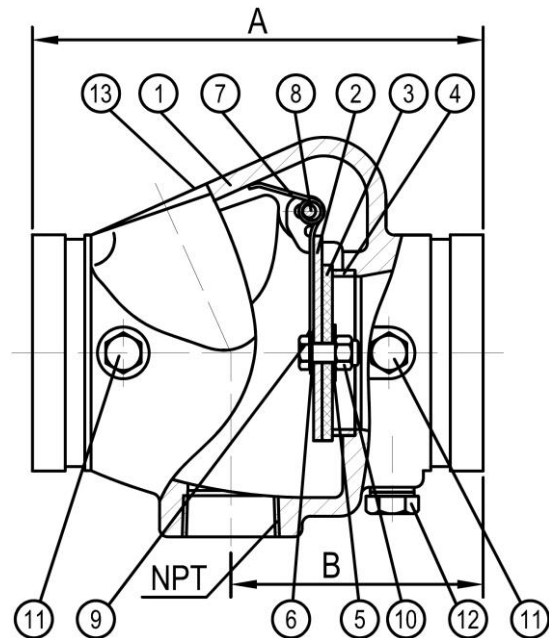
### VCG02132 - 350PSI Grooved-End Riser(Shotgun)

- Installed in both Horizontal or Vertical Line with Upward Flow
- Easier and Faster to Maintain and Install
- Low Pressure Drop
- EPDM non-stick leak tight sealing
- All Stainless Steel Wetted Parts to Provide Superior Corrosion Resistance
- FM Approved & UL/ULC Listed



#### Material Specifications

| PART              | SPECIFICATION          |
|-------------------|------------------------|
| 1. Body           | Ductile Iron ASTM A395 |
| 2. Clapper        | Stainless Steel 304    |
| 3. Facing Seal    | EPDM Rubber            |
| 4. Seat           | Bronze                 |
| 5. Clamping Ring  | Stainless Steel 304    |
| 6. Gasket         | EPDM Rubber            |
| 7. Spring         | Stainless Steel 304    |
| 8. Hinge Pin      | Stainless Steel 304    |
| 9. Bolt           | Stainless Steel 304    |
| 10. Locknut       | Stainless Steel 304    |
| 11. Plug 1/4" NPT | Carbon Steel           |
| 12. Plug 1/2" NPT | Carbon Steel           |
| 13. Nameplate     | Stainless Steel        |



#### Dimension

| Part Number  | Size     |     | OD mm | A     |     | B    |     | NPT in.    | Weight |     |
|--------------|----------|-----|-------|-------|-----|------|-----|------------|--------|-----|
|              | in.      | mm  |       | in.   | mm  | in.  | mm  |            | lbs    | kg  |
| VCG02132-060 | 2        | 50  | 60.3  | 6.65  | 169 | 3.54 | 90  | NPT 1"     | 5.5    | 2.5 |
| VCG02132-073 | 2 1/2    | 65  | 73.0  | 7.20  | 183 | 3.86 | 98  | NPT 1 1/4" | 8.8    | 4   |
| VCG02132-076 | 3OD      | 65  | 76.1  | 7.20  | 183 | 3.86 | 98  | NPT 1 1/4" | 8.8    | 4   |
| VCG02132-089 | 3        | 80  | 88.9  | 7.80  | 198 | 4.29 | 109 | NPT 1 1/4" | 13     | 6   |
| VCG02132-114 | 4        | 100 | 114.3 | 8.58  | 218 | 4.80 | 122 | NPT 2"     | 20     | 9   |
| VCG02132-140 | 5 1/2 OD | 125 | 139.7 | 9.76  | 248 | 5.39 | 137 | NPT 2"     | 33     | 15  |
| VCG02132-141 | 5        | 125 | 141.3 | 9.76  | 248 | 5.39 | 137 | NPT 2"     | 33     | 15  |
| VCG02132-165 | 6 1/2 OD | 150 | 165.1 | 10.63 | 270 | 5.83 | 148 | NPT 2"     | 42     | 19  |
| VCG02132-168 | 6        | 150 | 168.3 | 10.63 | 270 | 5.83 | 148 | NPT 2"     | 42     | 19  |
| VCG02132-219 | 8        | 200 | 219.1 | 12.80 | 325 | 7.28 | 185 | NPT 2"     | 77     | 35  |



# CHECK VALVE



## Check Valve Performance Date

### Formulas for $C_v$ Values

$$\Delta P = \frac{Q^2}{C_v^2}$$

$$Q = C_v \times \sqrt{\Delta P}$$

Where:  $Q$  = Flow rate (gallons per minute: GPM)

$\Delta P$  = Pressure drop across valve (PSI)

$C_v$  = Flow coefficient

| Nominal Size | Pipe O.D. | Cv (Full Open) | Nominal Size | Pipe O.D. | Cv (Full Open) | Nominal Size | Pipe O.D. | Cv (Full Open) |
|--------------|-----------|----------------|--------------|-----------|----------------|--------------|-----------|----------------|
| In.          | mm        | mm             | In.          | mm        | mm             | In.          | mm        | mm             |
| 2            | 50        | 60.3           | 4            | 100       | 114.3          | 6 1/2 OD     | 150       | 165.1          |
| 2 1/2        | 65        | 73.0           | 5 1/2 OD     | 125       | 139.7          | 6            | 150       | 168.3          |
| 3 OD         | 65        | 76.1           | 5            | 125       | 141.3          | 8            | 200       | 219.1          |
| 3            | 80        | 88.9           |              |           |                |              |           |                |

