

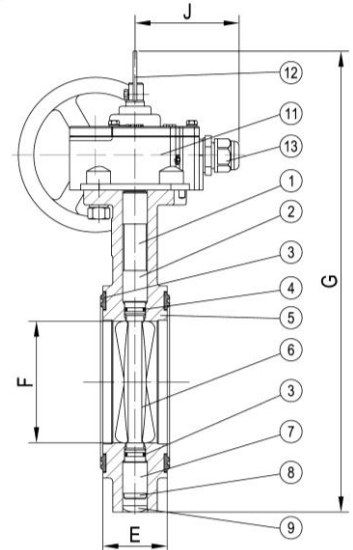
BUTTERFLY VALVE

VBW12C121H - 363PSI Wafer Butterfly Valve (CLOSE)

- Approved Gear Operator for both Indoor or Outdoor use
- NSF Certified Epoxy Coated Ductile Iron body for Excellent Protection
- Elastomer Encapsulated Disc with Outstanding Flow Characteristics
- Extended Neck
- Low Torque Operation
- Options of Double Internal Supervisory Switches
- FM Approved & UL/ULC Listed

Material Specifications

PART	SPECIFICATION
1. Upper Stem	Stainless Steel ASTM A 276 Type 420
2. Upper Bearing	PTFE Bronze Sintered on Steel
3. Body Gasket	EPDM
4. O-Ring	EPDM
5. Body	Ductile Iron ASTM A 395, Epoxy Coated
6. Disc	Ductile Iron ASTM A 395 with EPDM Encapsulation
7. Lower Bearing	PTFE Bronze Sintered on Steel
8. Lower Stem	Stainless Steel ASTM A 276 Type 420
9. Dust Plug	PVC
10. Name Plate	Stainless Steel
11. Gear Operator	Cast Iron and Steel
12. Indicator Flag	Steel
13. Cable gland	Nylon
14. Handwheel	Cast Iron



Dimension

Part Number	Size		E		F		G		H		J		K	
	in.	mm	in.	mm	in.	mm	in.	mm	in.	mm	in.	mm	in.	mm
VBW12C121H-065	2 1/2	65	1.81	46	2.40	61	12.36	314	2.09	53	3.35	85	1.73	44
VBW12C121H-080	3	80	1.81	46	2.87	73	13.27	337	2.09	53	3.35	85	1.73	44
VBW12C121H-100	4	100	2.05	52	3.86	98	14.68	373	2.09	53	3.35	85	1.73	44
VBW12C121H-125	5	125	2.20	56	4.80	122	16.14	410	2.99	76	3.62	92	1.85	47
VBW12C121H-150	6	150	2.20	56	5.75	146	17.13	435	2.99	76	3.62	92	1.85	47
VBW12C121H-200	8	200	2.36	60	7.72	196	19.44	494	2.99	76	3.62	92	1.85	47

Size	L		M		N		P		Q		R		Wt.	
in.	in.	mm	in.	mm	in.	mm	in.	mm	in.	mm	in.	mm	lbs.	kg.
2 1/2	4.92	125	6.06	154	4.96	126	2.95	75	4.25	108	3.35	85	10.8	4.9
3	4.92	125	6.42	163	5.31	135	3.54	90	4.25	108	3.82	97	12.1	5.5
4	4.92	125	7.20	183	6.02	155	4.13	105	4.92	125	4.88	124	15.6	7.1
5	6.62	168	8.15	207	6.81	173	4.80	122	5.90	150	6.10	155	25.4	11.5
6	6.62	168	8.62	219	7.28	185	5.31	135	5.90	150	7.20	183	28.4	12.9
8	6.62	168	9.76	248	8.42	214	6.49	165	5.90	150	9.29	236	42.1	19.1

Applicable flange grade:

Valve Size	Flange Grade
2 1/2", 3", 4", 5"	ASME 125lb, 150lb DIN(BS) PN10, PN16 AS T/D, T/E JIS 10K
6", 8"	ASME 125lb, 150lb DIN(BS) PN10, PN16 AS T/E

