



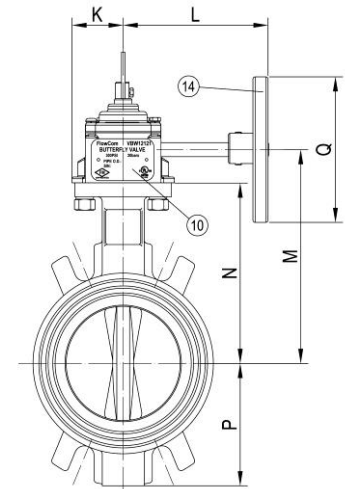
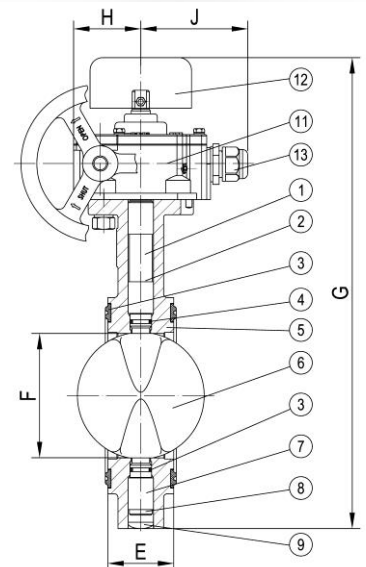
BUTTERFLY VALVE

VBW12121 - 300PSI Wafer Butterfly Valve

- Approved Gear Operator for both Indoor or Outdoor use
- NSF Certified Epoxy Coated Ductile Iron body for Excellent Protection
- Elastomer Encapsulated Disc with Outstanding Flow Characteristics
- Extended Neck
- Low Torque Operation
- Options of Double Internal Supervisory Switches
- FM Approved & UL/ULC Listed

Material Specifications

| PART | SPECIFICATION |
|--------------------|---|
| 1. Upper Stem | Stainless Steel ASTM A 276 Type 420 |
| 2. Upper Bearing | PTFE Bronze Sintered on Steel |
| 3. Body Gasket | EPDM |
| 4. O-Ring | EPDM |
| 5. Body | Ductile Iron ASTM A 395, Epoxy Coated |
| 6. Disc | Ductile Iron ASTM A 395 with EPDM Encapsulation |
| 7. Lower Bearing | PTFE Bronze Sintered on Steel |
| 8. Lower Stem | Stainless Steel ASTM A 276 Type 420 |
| 9. Dust Plug | PVC |
| 10. Name Plate | Stainless Steel |
| 11. Gear Operator | Cast Iron and Steel |
| 12. Indicator Flag | Steel |
| 13. Cable gland | Nylon |
| 14. Handwheel | Cast Iron |



Dimension

| Part Number | Size | | E | | F | | G | | H | | J | | K | |
|--------------|-------|-----|------|----|------|-----|-------|-----|------|----|------|----|------|----|
| | in. | mm | in. | mm | in. | mm | in. | mm | in. | mm | in. | mm | in. | mm |
| VBW12121-065 | 2 1/2 | 65 | 1.81 | 46 | 2.40 | 61 | 12.36 | 314 | 2.09 | 53 | 3.35 | 85 | 1.73 | 44 |
| VBW12121-080 | 3 | 80 | 1.81 | 46 | 2.87 | 73 | 13.27 | 337 | 2.09 | 53 | 3.35 | 85 | 1.73 | 44 |
| VBW12121-100 | 4 | 100 | 2.05 | 52 | 3.86 | 98 | 14.68 | 373 | 2.09 | 53 | 3.35 | 85 | 1.73 | 44 |
| VBW12121-125 | 5 | 125 | 2.20 | 56 | 4.80 | 122 | 16.14 | 410 | 2.99 | 76 | 3.62 | 92 | 1.85 | 47 |
| VBW12121-150 | 6 | 150 | 2.20 | 56 | 5.75 | 146 | 17.13 | 435 | 2.99 | 76 | 3.62 | 92 | 1.85 | 47 |
| VBW12121-200 | 8 | 200 | 2.36 | 60 | 7.72 | 196 | 19.44 | 494 | 2.99 | 76 | 3.62 | 92 | 1.85 | 47 |

| Size | L | | M | | N | | P | | Q | | R | | Wt. | |
|-------|------|-----|------|-----|------|-----|------|-----|------|-----|------|-----|------|------|
| | in. | mm | in. | mm | in. | mm | in. | mm | in. | mm | in. | mm | lbs. | kg. |
| 2 1/2 | 4.92 | 125 | 6.06 | 154 | 4.96 | 126 | 2.95 | 75 | 4.25 | 108 | 3.35 | 85 | 10.8 | 4.9 |
| 3 | 4.92 | 125 | 6.42 | 163 | 5.31 | 135 | 3.54 | 90 | 4.25 | 108 | 3.82 | 97 | 12.1 | 5.5 |
| 4 | 4.92 | 125 | 7.20 | 183 | 6.02 | 155 | 4.13 | 105 | 4.92 | 125 | 4.88 | 124 | 15.6 | 7.1 |
| 5 | 6.62 | 168 | 8.15 | 207 | 6.81 | 173 | 4.80 | 122 | 5.90 | 150 | 6.10 | 155 | 25.4 | 11.5 |
| 6 | 6.62 | 168 | 8.62 | 219 | 7.28 | 185 | 5.31 | 135 | 5.90 | 150 | 7.20 | 183 | 28.4 | 12.9 |
| 8 | 6.62 | 168 | 9.76 | 248 | 8.42 | 214 | 6.49 | 165 | 5.90 | 150 | 9.29 | 236 | 42.1 | 19.1 |

Applicable flange grade:

| Valve Size | Flange Grade |
|--------------------|---|
| 2 1/2", 3", 4", 5" | ASME 125lb, 150lb DIN(BS) PN10, PN16 AS T/D, T/E JIS 10K |
| 6", 8" | ASME 125lb, 150lb DIN(BS) PN10, PN16 AS T/E |

