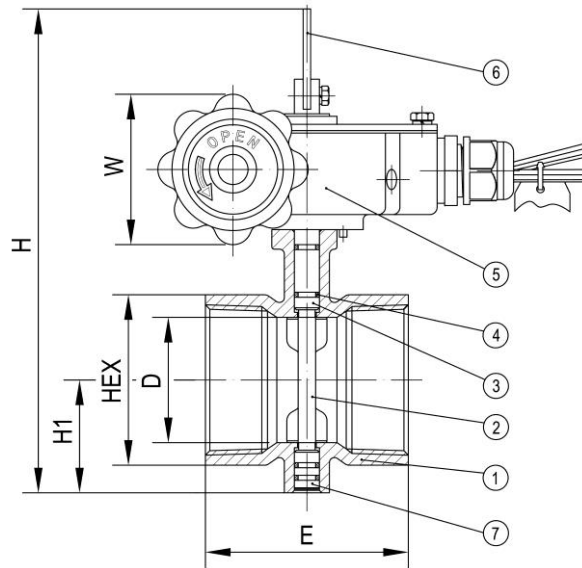
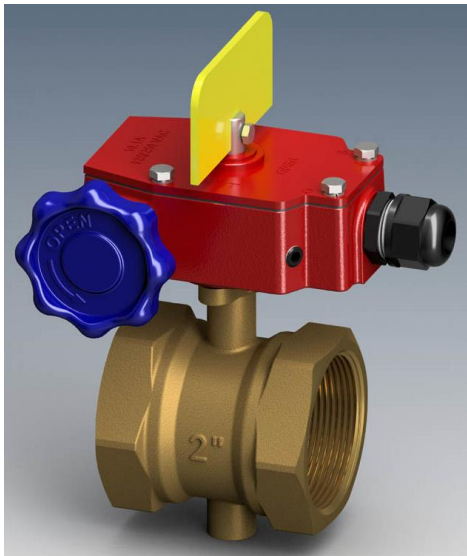


VBN21 - 300PSI Threaded-End Butterfly Valve

- Gear Operator for both Indoor or Outdoor use
- Elastomer Encapsulated Disc with Outstanding Flow Characteristics
- Extended Neck
- Low Torque Operation
- Options of Double Internal Supervisory Switches
- NPT threads end (BSPT available)



Material Specifications

PART	SPECIFICATION
1. Body	Forged Brass C37700
2. Disc	Brass with EPDM Encapsulation
3. Upper Stem	Stainless Steel ASTM A 276 Type 420
4. O-Ring	EPDM
5. Gear Operator	Cast Iron and Steel
6. Indicator Flag	Steel
7. Lower Stem	Stainless Steel ASTM A 276 Type 420

Dimension

Part Number	Size		E		D		HEX		H		H1		W		Wt.	
	in.	mm	in.	mm	in.	mm	in.	mm	in.	mm	in.	mm	in.	mm	lbs.	Kg.
VBN21-025	1	25	2.24	57	1.06	27	1.50	38	6.54	166	1.34	34	2.36	60	3.95	1.79
VBN21-032	1¼	32	2.63	67	1.42	36	1.93	49	6.85	174	1.50	38	2.36	60	4.28	1.94
VBN21-040	1½	40	2.87	73	1.57	40	2.17	55	7.00	178	1.57	40	2.36	60	4.70	2.13
VBN21-050	2	50	3.19	81	1.97	50	2.68	68	7.60	193	1.77	45	2.36	60	5.42	2.46