

- The coupling is ideally designed for use with Sch10 and Sch40 or BS steel pipe.
- The tongue and groove mechanism with build-in teeth provide rigidity in high flow and pressure pipeline.




Material Specifications:

◆ Housing

Ductile iron conforming to ASTM A536 Gr. 65-45-12

◆ Rubber Gaskets



Gaskets Material		General Service Recommendations	Color code
	EPDM	EPDM is recognized as the most water resistant rubber available today. Good for cold & hot water up to 250°F (121°C), municipal water, waste water, deionized water. EPDM is not recommended for use with petroleum based oils and fuels, hydrocarbon solvents and aromatic hydrocarbons. EPDM gaskets for water services are not recommended for steam services unless coupling or components are accessible for frequent gasket replacement.	Black Green stripe
	NITRILE	NBR, Buna-N, and Nitrile all represent the same copolymer of butadiene and acrylonitrile (ACN), which is inherently resistant to hydraulic fluids, lubricating oils, transmission fluids and other non-polar petroleum based products and water less than 150°F (65°C). The higher the ACN content, the higher the resistance to oils and heat, but the lower elastic characteristics and compression set. NBR displays poor resistance to hot water and steam.	Black Orange stripe
	SILICON	Silicone (VMQ) FLO Grade "L" Silicone compound features high temperature range stability and low temperature flexibility. Recommended for dry heat and air without hydrocarbons up to 350°F (177°C). Silicone compounds are used in many food and medical applications as they do not impart odor or taste. Not recommended for hot water or steam services.	White

Note: Only EPDM has FM approved & UL/ULC Listed.

◆ Bolts & Nuts

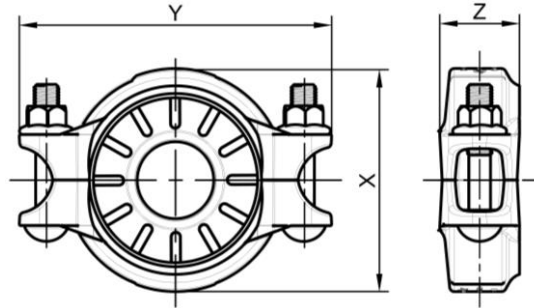
Heat treated, zinc electroplated, or galvanized oval neck track head bolts and hex nuts made of carbon steel in accordance with ASTM A183 (Metric in accordance with ISO 898).

Surface Finish:

Epoxy Coatings in RAL3000 red, available with hot dipped galvanized finish or orange painted.



RF1- Reducing Flexible Coupling



Dimension

Nominal Size DN / NPS	Pipe O.D mm / in	Max. Work Pressure MPa / psi	Max. End Load kN / lbs	Bolt Size mm / in	Dimensions (mm / in)			Weight kg / lbs
					X	Y	Z	
50x40 2"x1 1/2"	60.3x48.3 2.372x1.900	2.07 300	3.78 850	M10x50 3/8x2	82 3.22	125 4.921	46 1.81	0.9 1.98
65x40 2 1/2"x1 1/2"	73x48.3 2.875x1.900	2.07 300	3.78 850	M12x75 1/2x3	98 3.86	145 5.709	46 1.81	1.1 2.43
65x50 2 1/2"x2"	73x60.3 2.875x2.372	2.07 300	5.89 1325	M12x75 1/2x3	98 3.86	145 5.71	46 1.81	1.1 2.43
65x40 2 1/2"(76mm)x1 1/2"	76.1x48.3 3.000x1.900	2.07 300	3.78 850	M12x75 1/2x3	101 3.98	148 5.83	46 1.81	1.1 2.43
65x50 2 1/2"(76mm)x2"	76.1x60.3 3.000x2.375	2.07 300	5.89 1325	M12x75 1/2x3	101 3.98	148 5.83	46 1.81	1.1 2.43
80x50 3"x2"	88.9x60.3 3.500x2.375	2.07 300	5.89 1325	M12x75 1/2x3	114 4.49	160 6.29	49 1.92	1.5 3.31
80x65 3"x2 1/2"	88.9x73.0 3.500x2.875	2.07 300	8.64 1943	M12x75 1/2x3	114 4.49	160 6.29	49 1.92	1.7 3.75
80x65 3"x2 1/2"(76mm)	88.9x76.1 3.500x3.000	2.07 300	9.39 2112	M12x75 1/2x3	114 4.49	160 8.66	49 1.92	1.7 3.75
100x50 4"x2"	114.3x60.3 4.500x2.375	2.07 300	5.89 1325	M16x85 5/8x3-3/8	142 5.59	200 7.87	51 2.00	2.4 5.3
100x65 4"x2 1/2"	114.3x73.0 4.5x2.875	2.07 300	8.64 1943	M16x85 5/8x3-3/8	142 5.59	200 7.87	51 2.00	2.6 5.73
100x65 4x2 1/2"(76mm)	114.3x76.1 4.500x3.000	2.07 300	9.39 2112	M16x85 5/8x3-3/8	142 5.59	200 7.87	51 2.00	2.6 5.73
100x80 4"x3"	114.3x88.9 4.500x3.500	2.07 300	12.82 2883	M16x85 5/8x3-3/8	142 5.59	200 7.87	51 2.00	2.4 5.3
150x100 6"(165.1mm)x4"	165.1x114.3 6.500x4.500	2.07 300	21.19 4766	M20x115 3/4x4-1/2	197 7.76	269 10.59	51 2.00	4.5 9.92
150x100 6"x4"	168.3x114.3 6.625x4.500	2.07 300	21.19 4766	M20x115 3/4x4-1/2	200 7.87	272 10.71	51 2.00	4.5 9.92
200x150 8"x6"(165.1mm)	219.1x165.1 8.625x6.500	2.07 300	44.21 9945	M22x135 7/8x5-1/4	261 10.28	345 13.58	61 2.40	8.6 18.97
200x150 8"x6"	219.1x168.3 8.625x6.625	2.07	45.94 10334	M22x135 7/8x5-1/4	261 10.28	345 13.58	61 2.40	8.6 18.97