

- The coupling is ideally designed for use with Sch10 and Sch40 or BS steel pipe.
- The tongue and groove mechanism with build-in teeth provide rigidity in high flow and pressure pipeline.




Material Specifications:

◆ Housing

Ductile iron conforming to ASTM A536 Gr. 65-45-12

◆ Rubber Gaskets



Gaskets Material		General Service Recommendations	Color code
	EPDM	EPDM is recognized as the most water resistant rubber available today. Good for cold & hot water up to 250°F (121°C), municipal water, waste water, deionized water. EPDM is not recommended for use with petroleum based oils and fuels, hydrocarbon solvents and aromatic hydrocarbons. EPDM gaskets for water services are not recommended for steam services unless coupling or components are accessible for frequent gasket replacement.	Black Green stripe
	NITRILE	NBR, Buna-N, and Nitrile all represent the same copolymer of butadiene and acrylonitrile (ACN), which is inherently resistant to hydraulic fluids, lubricating oils, transmission fluids and other non-polar petroleum based products and water less than 150°F (65°C). The higher the ACN content, the higher the resistance to oils and heat, but the lower elastic characteristics and compression set. NBR displays poor resistance to hot water and steam.	Black Orange stripe
	SILICON	Silicone (VMQ) FLO Grade "L" Silicone compound features high temperature range stability and low temperature flexibility. Recommended for dry heat and air without hydrocarbons up to 350°F (177°C). Silicone compounds are used in many food and medical applications as they do not impart odor or taste. Not recommended for hot water or steam services.	White

Note: Only EPDM has FM approved & UL/ULC Listed.

◆ Bolts & Nuts

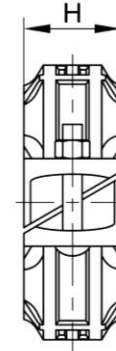
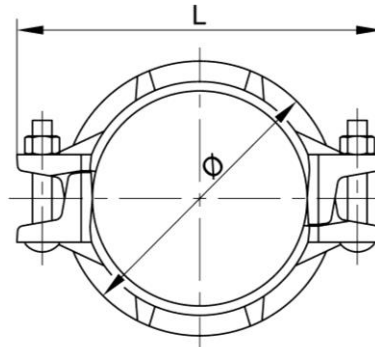
Heat treated, zinc electroplated, or galvanized oval neck track head bolts and hex nuts made of carbon steel in accordance with ASTM A183 (Metric in accordance with ISO 898).

Surface Finish:

Epoxy Coatings in RAL3000 red, available with hot dipped galvanized finish or orange painted.



RC2 - Rigid Couplings (Angle-Pad Design)



Dimension

Nominal Size DN / NPS	Pipe O.D mm / in	Max. Work Pressure MPa / psi	Max. End Load kN / lbs	Bolt Size mm / in	Dimensions (mm / in)			Weight kg / lbs
					Ø	L	H	
25	33.4	2.07	1.81	M10*50	54	90	45	0.45
1"	1.315	300	407	3/8x2	2.13	3.54	1.77	0.99
32	42.2	2.07	2.92	M10*50	63	102	45	0.50
1 1/4"	1.660	300	656	3/8x2	2.48	4.02	1.77	1.10
40	48.3	2.07	3.78	M10*50	69	108	45	0.52
1 1/2"	1.900	300	850	3/8x2	2.72	4.25	1.77	1.15
50	60.3	2.07	5.89	M10*50	82	124	47	0.55
2"	2.375	300	1325	3/8x2	3.23	4.88	1.85	1.21
65	73.0	2.07	8.64	M10*65	96	140	48	0.94
2 1/2"	2.875	300	1943	3/8x2-1/2	3.78	5.51	1.89	2.07
65	76.1	2.07	9.39	M10*65	99	143	48	0.94
3"O.D	3.000	300	2112	3/8x2-1/2	3.9	5.63	1.89	2.07
80	88.9	2.07	12.82	M10*65	113	158	48	1.02
3"	3.500	300	2883	3/8x2-1/2	4.45	6.22	1.89	2.25
100	114.3	2.07	21.19	M10*65	141	188	50	1.45
4"	4.500	300	4766	3/8x2-1/2	5.55	7.40	1.97	3.20
125	139.7	2.07	31.65	M12*70	168	224	51	1.90
5 1/2"O.D	5.500	300	7119	1/2x2-3/4	6.61	8.82	2.00	4.19
125	141.3	2.07	32.38	M12*70	170	226	51	1.91
5"	5.563	300	7284	1/2x2-3/4	6.69	8.90	2.00	4.21
150	165.1	2.07	44.21	M12*70	195	253	51	2.30
6 1/2"O.D	6.500	300	9945	1/2x2-3/4	7.76	9.961	2.00	5.07
150	168.3	2.07	45.94	M12*70	198	256	51	2.40
6"	6.625	300	10334	1/2x2-3/4	7.80	10.08	2.00	5.29
200	219.1	2.07	77.86	M16*90	255	322	60	4.50
8"	8.625	300	17515	5/8x3-1/2	10.04	12.68	2.36	9.92
250	273.0	2.07	120.87	M20*115	313	391	62	6.50
10"	10.750	300	27190	3/4x4-1/2	12.32	15.39	2.44	14.33
300	323.9	2.07	170.15	M20*115	366	445	63	8.26
12"	12.750	300	38276	3/4x4-1/2	14.41	17.52	2.48	18.21