

- The coupling is ideally designed for use with Sch10 and Sch40 or BS steel pipe.
- The tongue and groove mechanism with build-in teeth provide rigidity in high flow and pressure pipeline.

Material Specifications:

- ◆ **Housing**
Ductile iron conforming to ASTM A536 Gr. 65-45-12
- ◆ **Rubber Gaskets**



Gaskets Material		General Service Recommendations	Color code
	EPDM	EPDM is recognized as the most water resistant rubber available today. Good for cold & hot water up to 250°F (121°C), municipal water, waste water, deionized water. EPDM is not recommended for use with petroleum based oils and fuels, hydrocarbon solvents and aromatic hydrocarbons. EPDM gaskets for water services are not recommended for steam services unless coupling or components are accessible for frequent gasket replacement.	Black Green stripe
	NITRILE	NBR, Buna-N, and Nitrile all represent the same copolymer of butadiene and acrylonitrile (ACN), which is inherently resistant to hydraulic fluids, lubricating oils, transmission fluids and other non-polar petroleum based products and water less than 150°F (65°C). The higher the ACN content, the higher the resistance to oils and heat, but the lower elastic characteristics and compression set. NBR displays poor resistance to hot water and steam.	Black Orange stripe
	SILICON	Silicone (VMQ) FLO Grade "L" Silicone compound features high temperature range stability and low temperature flexibility. Recommended for dry heat and air without hydrocarbons up to 350°F (177°C). Silicone compounds are used in many food and medical applications as they do not impart odor or taste. Not recommended for hot water or steam services.	White

Note: Only EPDM has FM approved & UL/ULC Listed.

◆ Bolts & Nuts

Heat treated, zinc electroplated, or galvanized oval neck track head bolts and hex nuts made of carbon steel in accordance with ASTM A183 (Metric in accordance with ISO 898).

CAUTION

proper torquing of bolts is required to obtain specified performance.

- Over torquing the bolts may result in damage to the bolt and/or casting which could result in pipe joint separation.
- Under torquing the bolts may result in lower pressure retention capabilities, lower bend load capabilities, joint leakage and pipe joint separation. Pipe joint separation may result in significant property damage and serious injury.

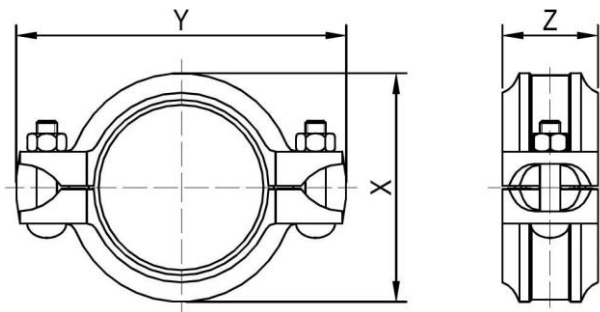
Specified Bolt Torque		
Bolt Size	lbs-ft	N.m
3/8"(M10)	22~30	30~40
1/2"(M12)	48~63	65~85
5/8"(M16)	92~107	125~145
3/4"(M20)	155~170	210~230



Surface Finish:

Epoxy Coatings in RAL3000 red, available with hot dipped galvanized finish or orange painted.

RC1- Rigid Couplings (Tongue & groove Design)



Dimension

Nominal Size DN / NPS	Pipe O.D mm / in	Max. Work Pressure MPa / psi	Max. End Load kN / lbs	Bolt Size mm / in	Dimensions (mm / in)			Weight kg / lbs
					X	Y	Z	
25 1"	33.4 1.315	2.07 300	1.81 407	M10x50 3/8x2	54 2.13	94 3.70	44 1.73	0.45 0.99
32 1 1/4"	42.2 1.660	2.07 300	2.92 656	M10x50 3/8x2	63 2.48	103 4.06	44 1.73	0.55 1.21
40 1 1/2"	48.3 1.900	2.07 300	3.78 850	M10x50 3/8x2	69 2.72	109 4.29	44 1.73	0.60 1.32
50 2"	60.3 2.375	2.07 300	5.89 1325	M10x50 3/8x2	83 3.27	123 4.84	45 1.77	0.72 1.59
65 2 1/2"	73.0 2.875	2.07 300	8.64 1943	M10x55 3/8x2-1/8	97 3.82	136 5.35	46 1.81	0.81 1.79
65 3" O.D	76.1 3.000	2.07 300	9.39 2112	M10x55 3/8x2-1/8	100 3.94	139 5.47	46 1.81	0.83 1.83
80 3"	88.9 3.500	2.07 300	12.82 2883	M10x55 3/8x2-1/8	113 4.45	154 6.06	46 1.81	1.01 2.23
100 4"	114.3 4.500	2.07 300	21.19 4766	M12x70 1/2x2-3/4	142 5.59	192 7.56	49 1.93	1.35 2.98
125 5 1/2" O.D	139.7 5.500	2.07 300	31.65 7119	M12x75 1/2x3	168 6.61	222 8.74	50 1.88	1.71 3.77
125 5"	141.3 5.563	2.07 300	32.38 7284	M12x75 1/2x3	170 6.69	224 8.82	50 1.88	1.75 3.86
150 6 1/2" O.D	165.1 6.500	2.07 300	44.21 9945	M12x75 1/2x3	195 7.68	248 9.76	51 2.00	2.32 5.12
150 6"	168.3 6.625	2.07 300	45.94 10334	M12x75 1/2x3	199 7.83	251 9.88	51 2.00	2.40 5.30
200 8"	219.1 8.625	2.07 300	77.86 17515	M16x85 5/8x3-3/8	256 10.08	322 12.68	58 2.28	4.03 8.89
250 10"	273.0 10.750	2.07 300	120.87 27190	M20x115 3/4x4-1/2	313 12.32	391 15.39	62 2.44	6.74 14.86
300 12"	323.9 12.750	2.07 300	170.15 38276	M20x115 3/4x4-1/2	366 14.41	445 17.52	63 2.48	8.52 18.79