

Pressure Relief Valve

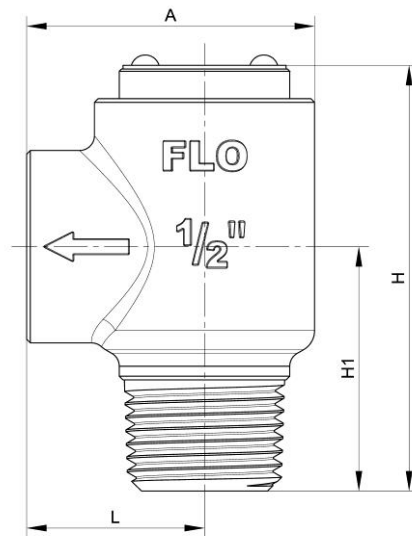
PRV01S - Pressure Relief Valve

- The PRV01S pressure relief valve is intended for use to relieve excess pressure from fire protection systems due to thermal expansion and is also intended for installation downstream of pressure reducing valves. Complies with the requirements of NFPA 13 requirements.
- Available factory-set at the following nominal operating pressures: 175 psi (12 bar), 185 psi (13 bar), 210 psi (14 bar), 260 psi (18 bar), or 310 psi (21 bar).
- 1/2"NPT threads end (1/2"BSPT available).
- UL/ULC Listed



Materials:

Body	Stainless steel
Cover	Stainless steel
Spring	Stainless steel
Seal	Silicone
Piston	Stainless steel



Dimension:

Part Number	SIZE		L		H		H1		A	
	in.	mm	in.	mm	in.	mm	in.	mm	in.	mm
PRV01S-015	1/2	15	0.95	24	2.24	57	1.30	33	1.54	39