



Floor Control Assemblies

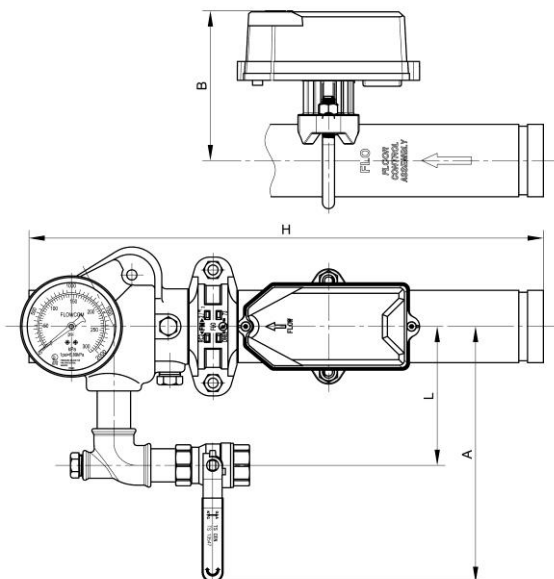
FCA --- Floor Control Assemblies

- Floor Control Assemblies (Basic Trim) includes a riser check valve, pressure gauge, drain (ball) valve, and dedicated waterflow switch.
- Compact, lightweight design for easy installation.
- Pressure rating: 300 PSI (20.7 bar) maximum water working pressure.
- Fabricated Sch.40 steel riser body with cut grooves and red epoxy finish.
- Gauge check valve allows for easy replacement of pressure gauge.
- Horizontal or vertical installation.
- Optional:
 - ✦ Available with Test and Drain Valve in K2.8(40), K4.2(60), K5.6(80), K8.0(115) orifice sizes.
 - ✦ Available with Pressure Relief Valve (PRV), with pressure rated at 185 psi (13 bar).
 - ✦ Available with Solenoid Valve (24 VDC, normally closed, energize to open) for remote testing, with the Cv value that is equivalent to orifice sizes of Test and Drain Valve.
 - ✦ All Floor Control Assemblies available with attached butterfly valve at the inlet as an option.



Riser body Size		Drain Size		Riser body Size		Drain Size	
in.	DN	in.	DN	in.	DN	in.	DN
2	50	1	25	4	100	2	50
2 1/2	65	1 1/4	32	6	150	2	50
3	80	1 1/4	32	8	200	2	50

Basic (With Ball Valve)



Dimensions

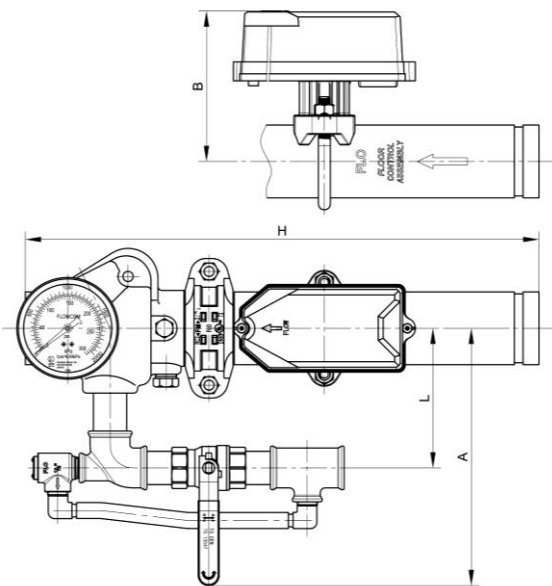
Part Number	SIZE		H		L		A		B	
	in.	DN	in.	mm	in.	mm	in.	mm	in.	mm
FCA01-060B	2	50	19.69	500	4.92	125	9.57	243	5.79	147
FCA01-073B	2 1/2	65	20.28	515	5.39	137	10.04	255	6.06	154
FCA01-076B	2 1/2	65	20.28	515	5.39	137	10.04	255	6.10	155
FCA01-089B	3	80	20.87	530	6.18	157	10.83	275	6.38	162
FCA01-114B	4	100	21.65	550	7.36	187	12.01	305	6.85	174
FCA01-165B	6	150	23.70	602	8.46	215	13.11	333	7.87	200
FCA01-168B	6	150	23.70	602	8.46	215	13.11	333	7.95	202
FCA01-219B	8	200	25.87	657	9.57	243	14.21	361	8.90	226

Note: If ordered with a butterfly valve, change Part number FCA01-XXXX to FCA02-XXXX.



Floor Control Assemblies

With Ball Valve and Pressure Relief Valve (PRV)

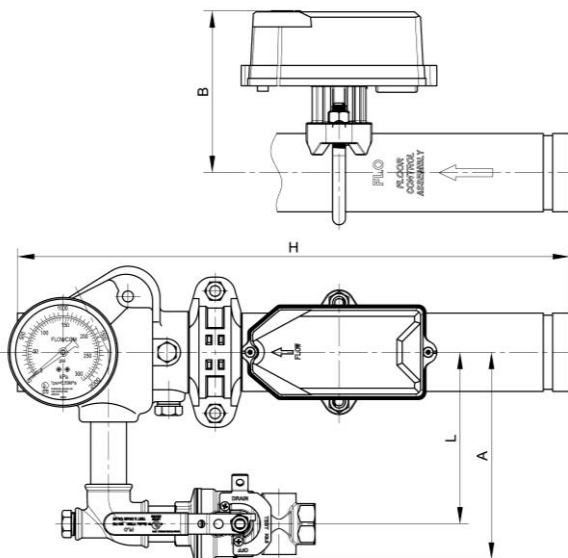


Dimensions

Part Number	SIZE		H		L		A		B	
	in.	DN	in.	mm	in.	mm	in.	mm	in.	mm
FCA01-060B1	2	50	19.69	500	4.92	125	9.57	243	5.79	147
FCA01-073B1	2½	65	20.28	515	5.39	137	10.04	255	6.06	154
FCA01-076B1	2½	65	20.28	515	5.39	137	10.04	255	6.10	155
FCA01-089B1	3	80	20.87	530	6.18	157	10.83	275	6.38	162
FCA01-114B1	4	100	21.65	550	7.36	187	12.01	305	6.85	174
FCA01-165B1	6	150	23.70	602	8.46	215	13.11	333	7.87	200
FCA01-168B1	6	150	23.70	602	8.46	215	13.11	333	7.95	202
FCA01-219B1	8	200	25.87	657	9.57	243	14.21	361	8.90	226

Note: If ordered with a butterfly valve, change Part number FCA01-XXXX to FCA02-XXXX.

With Test and Drain Valve

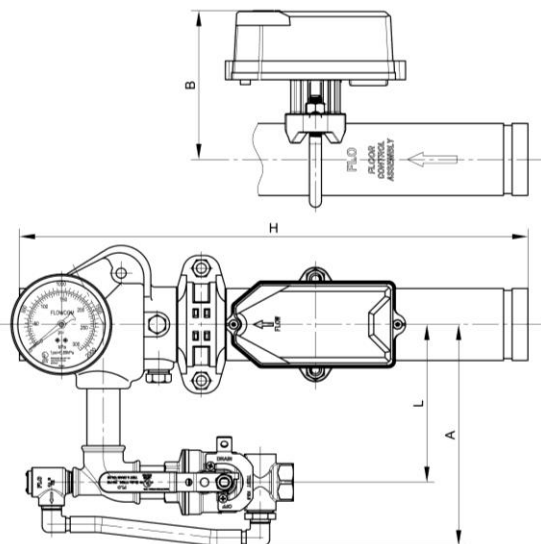


Dimensions

Part Number	SIZE		H		L		A		B	
	in.	DN	in.	mm	in.	mm	in.	mm	in.	mm
FCA01-060T	2	50	19.69	500	6.85	174	8.15	207	5.79	147
FCA01-073T	2½	65	20.28	515	6.85	174	8.15	207	6.06	154
FCA01-076T	2½	65	20.28	515	6.85	174	8.15	207	6.10	155
FCA01-089T	3	80	20.87	530	6.85	174	8.15	207	6.38	162
FCA01-114T	4	100	21.65	550	8.54	217	10.39	264	6.85	174
FCA01-165T	6	150	23.70	602	9.65	245	11.50	292	7.87	200
FCA01-168T	6	150	23.70	602	9.65	245	11.50	292	7.95	202
FCA01-219T	8	200	25.87	657	10.74	273	12.60	320	8.90	226

Note: If ordered with a butterfly valve, change Part number FCA01-XXXX to FCA02-XXXX.

With Test and Drain Valve and Pressure Relief Valve (PRV)



Dimensions

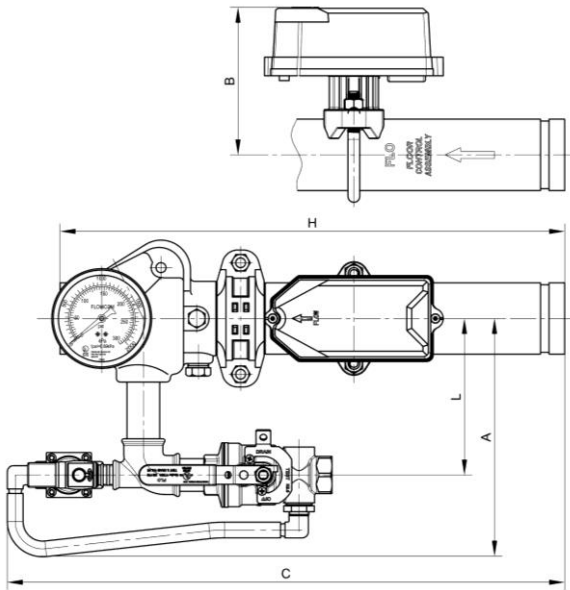
Part Number	SIZE		H		L		A		B	
	in.	DN	in.	mm	in.	mm	in.	mm	in.	mm
FCA01-060T1	2	50	19.69	500	6.85	174	9.37	238	5.79	147
FCA01-073T1	2½	65	20.28	515	6.85	174	9.37	238	6.06	154
FCA01-076T1	2½	65	20.28	515	6.85	174	9.37	238	6.10	155
FCA01-089T1	3	80	20.87	530	6.85	174	9.37	238	6.38	162
FCA01-114T1	4	100	21.65	550	8.54	217	11.50	291	6.85	174
FCA01-165T1	6	150	23.70	602	9.65	245	12.56	319	7.87	200
FCA01-168T1	6	150	23.70	602	9.65	245	12.56	319	7.95	202
FCA01-219T1	8	200	25.87	657	10.74	273	13.66	347	8.90	226

Note: If ordered with a butterfly valve, change Part number FCA01-XXXX to FCA02-XXXX.



Floor Control Assemblies

With Test and Drain Valve and Solenoid Valve

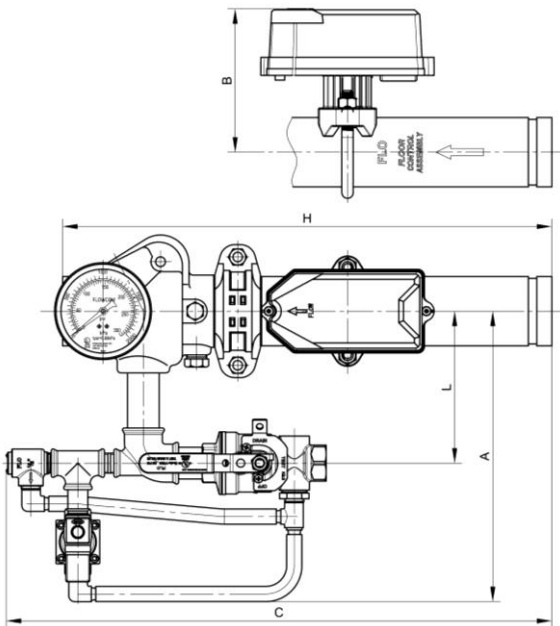


Dimensions

Part Number	SIZE		H		L		A		B		C	
	in.	DN	in.	mm	in.	mm	in.	mm	in.	mm	in.	mm
FCA01-060T2	2	50	19.69	500	6.85	174	10.16	258	5.79	147	21.85	555
FCA01-073T2	2 1/2	65	20.28	515	6.85	174	10.16	258	6.06	154	22.17	563
FCA01-076T2	2 1/2	65	20.28	515	6.85	174	10.16	258	6.10	155	22.17	563
FCA01-089T2	3	80	20.87	530	6.85	174	10.16	258	6.38	162	22.60	574
FCA01-114T2	4	100	21.65	550	8.54	217	12.24	311	6.85	174	23.31	592
FCA01-165T2	6	150	23.70	602	9.65	245	13.34	339	7.87	200	24.33	618
FCA01-168T2	6	150	23.70	602	9.65	245	13.34	339	7.95	202	24.33	618
FCA01-219T2	8	200	25.87	657	10.74	273	14.44	367	8.90	226	25.79	655

Note: If ordered with a butterfly valve, change Part number FCA01-XXXX to FCA02-XXXX.

With Test and Drain Valve and Solenoid Valve and Pressure Relief Valve (PRV)

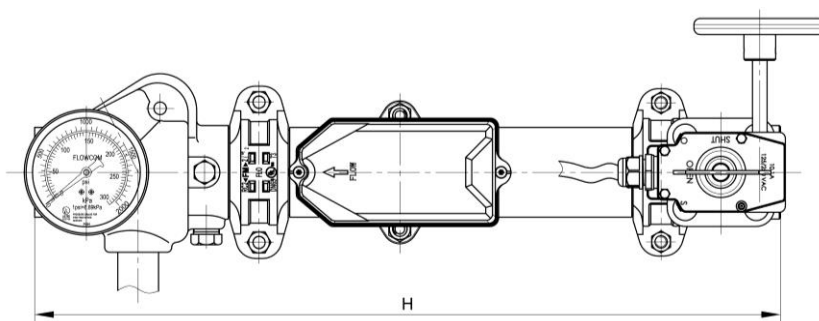


Dimensions

Part Number	SIZE		H		L		A		B		C	
	in.	DN	in.	mm	in.	mm	in.	mm	in.	mm	in.	mm
FCA01-060T3	2	50	19.69	500	6.85	174	12.60	320	5.79	147	22.13	562
FCA01-073T3	2 1/2	65	20.28	515	6.85	174	12.60	320	6.06	154	22.44	570
FCA01-076T3	2 1/2	65	20.28	515	6.85	174	12.60	320	6.10	155	22.44	570
FCA01-089T3	3	80	20.87	530	6.85	174	12.60	320	6.38	162	22.87	581
FCA01-114T3	4	100	21.65	550	8.54	217	14.25	362	6.85	174	23.58	599
FCA01-165T3	6	150	23.70	602	9.65	245	15.35	390	7.87	200	24.61	625
FCA01-168T3	6	150	23.70	602	9.65	245	15.35	390	7.95	202	24.61	625
FCA01-219T3	8	200	25.87	657	10.74	273	16.46	418	8.90	226	26.06	662

Note: If ordered with a butterfly valve, change Part number FCA01-XXXX to FCA02-XXXX.

Overall dimension for butterfly valve option



SIZE	H		
	in.	mm	
2	50	22.95	583
2 1/2	65	24.21	615
2 1/2	65	24.21	615
3	80	24.80	630
4	100	26.30	668
6	150	29.65	753
6	150	29.65	753
8	200	31.34	796