

CC04 - Pipe Clamp

Size Range: 1/2" through 4"

Material: Carbon steel

Finish: Zinc plated, other finish available upon request

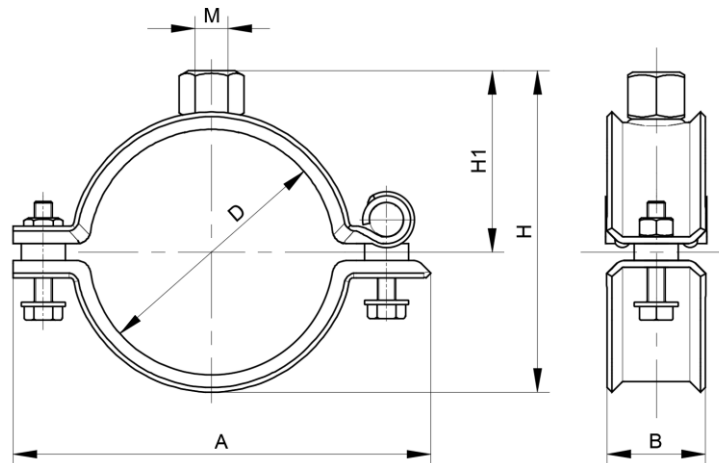
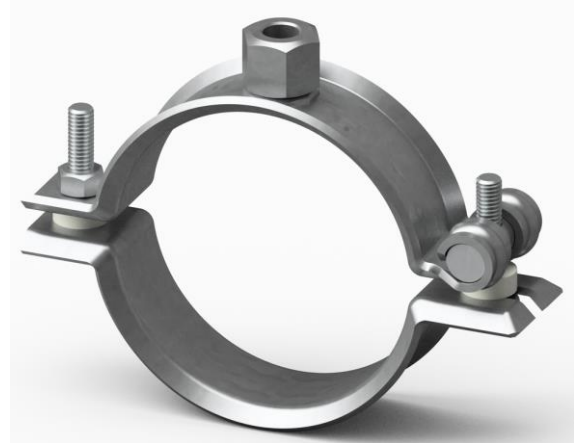
Features:

- Contains easy closing mechanism.
- Flared edges and specially designed welding area help protect CPVC piping.
- Plastic washers help prevent crushing the CPVC or plastic pipe and assure a floating fit.

Approvals:

- Complies with Federal Specification MSS-SP-58 (Type 12).
- UL/ULC Listed

Ordering: Specify Part Number



Part Number	Nominal Pipe Size		D		M		A		B		H1		H		Max. Rec. Load	
	in.	mm	in.	mm	in.	mm	in.	mm	in.	mm	in.	mm	in.	mm	lbs	N
CC04-015	1/2"	DN15	0.85	21.5			2.76	70			1.06	27	1.65	42		
CC04-020	3/4"	DN20	1.06	27			2.99	76			1.14	29	1.85	47	250	1110
CC04-025	1"	DN25	1.32	33.5			3.27	83			1.30	33	2.17	55		
CC04-032	1 1/4"	DN32	1.67	42.3			3.62	92			1.48	37.5	2.48	63		
CC04-040	1 1/2"	DN40	1.91	48.5			3.74	95			1.61	41	2.80	71		
CC04-050	2"	DN50	2.38	60.5	3/8" UNC	M10	4.33	110	1.18	30	1.85	47	3.27	83	320	1420
CC04-065	2 1/2"	DN65	2.89	73.5			4.88	124			2.11	53.5	3.74	95		
CC04-065A	2 1/2"	DN65	3.03	77			5.00	127			2.17	55	3.86	98		
CC04-080	3"	DN80	3.50	89			5.51	140			2.42	61.5	4.37	111	380	1690
CC04-090	3 1/2"	DN90	4.02	102			6.10	155			2.70	68.5	4.92	125	440	1950
CC04-100	4"	DN100	4.53	115			6.57	167			2.93	74.5	5.43	138		