

CPVC Pipe Straps

CPH04 -- Two-Hole Stand Offset Strap

Size Range: 3/4" through 2"

Material: Carbon steel

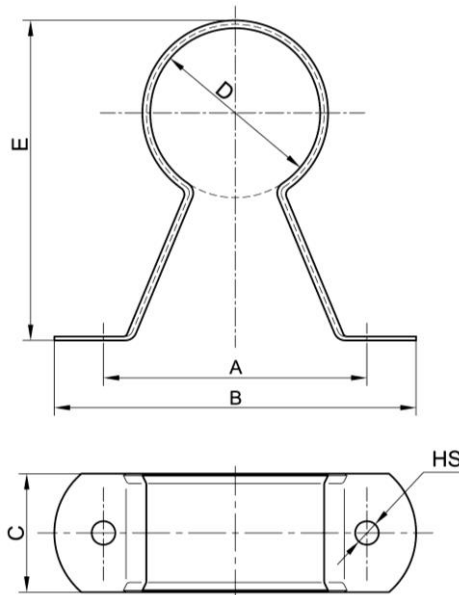
Finish: Pre-galvanized

Service: Rated for use with CPVC fire sprinkler pipe horizontally from the side or bottom of beam, or composite wood joists with a minimum of 3/8" web thickness.

- a) Can only be used as a guide on top of beam or on vertical piping.
- b) May be installed onto wood using supplied fasteners or into, minimum 18 gauge.
- c) Includes flared edges to protect piping.
- d) Includes mounting screws.

Approvals: UL/ULC Listed

Ordering: Specify Part Number



Part Number	Nominal Pipe Size		D		A		B		C		E		HS		Max. Spacing	
	in.	mm	in.	mm	in.	mm	in.	mm	in.	mm	in.	mm	in.	mm	ft.	m
CPH04-027	3/4	DN20	1.050	26.7	2.64	67	3.62	92	1.18	30	2.64	67	0.228	5.8	5.5	1.68
CPH04-033	1	DN25	1.315	33.4	2.64	67	3.62	92	1.18	30	2.91	74	0.228	5.8	6	1.83
CPH04-042	1 1/4	DN32	1.660	42.2	2.64	67	3.62	92	1.18	30	3.23	82	0.228	5.8	6.5	1.98
CPH04-048	1 1/2	DN40	1.900	48.3	2.64	67	3.62	92	1.18	30	3.46	88	0.228	5.8	7	2.13
CPH04-060	2	DN50	2.375	60.3	3.15	80	4.13	105	1.18	30	3.98	101	0.228	5.8	8	2.44