

CPH03 -- Two-Hole Side Mount Strap

Size Range : 3/4" through 2"

Material : Carbon steel

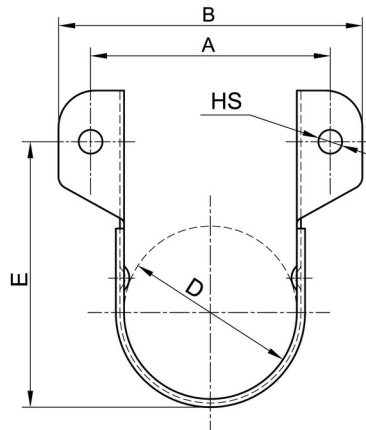
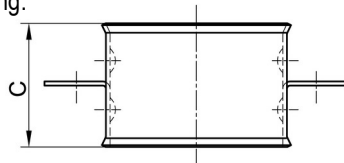
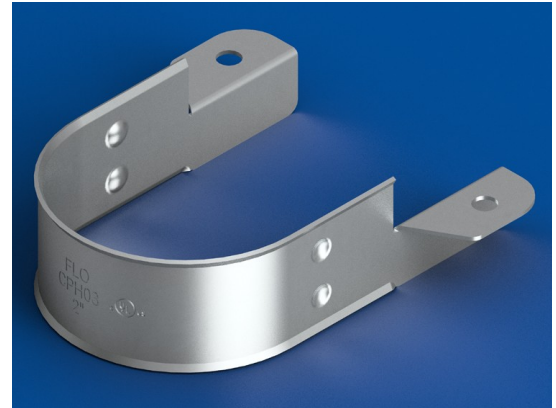
Finish : Pre-galvanized

Service : Rated for use with CPVC fire sprinkler pipe horizontally from the side or bottom of beam.

- a) Can only be used as a guide on top of beam or on vertical piping.
- b) also acts as a restrainer to prevent the thrust of a sprinkler head during activation when mounted on top of structure.
- c) Includes flared edges to protect piping.
- d) Includes mounting screws.

Approvals : UL/ULC Listed

Ordering : Specify Part Number



Part Number	Nominal Pipe Size		D		A		B		C		E		HS		Max. Spacing	
	in.	mm	in.	mm	in.	mm	in.	mm	in.	mm	in.	mm	in.	mm	ft.	m
CPH03-027	3/4	DN20	1.050	26.7	1.69	43	2.30	58.5	1.18	30	1.93	49	0.228	5.8	5.5	1.68
CPH03-033	1	DN25	1.315	33.4	1.95	49.5	2.56	65	1.18	30	2.22	56.5	0.228	5.8	6	1.83
CPH03-042	1 1/4	DN32	1.660	42.2	2.30	58.5	2.91	74	1.18	30	2.56	65	0.228	5.8	6.5	1.98
CPH03-048	1 1/2	DN40	1.900	48.3	2.54	64.5	3.15	80	1.18	30	2.80	71	0.228	5.8	7	2.13
CPH03-060	2	DN50	2.375	60.3	3.01	76.5	3.62	92	1.18	30	3.29	83.5	0.228	5.8	8	2.44