

CPH02 -- Two-Hole Pipe Strap

Size Range: 3/4" through 2"

Material: Carbon steel

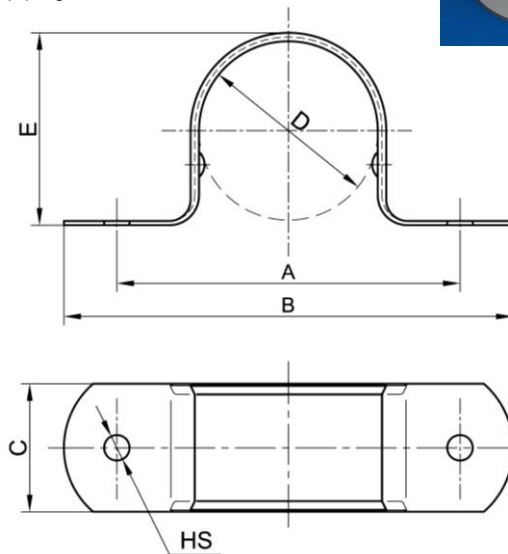
Finish: Pre-galvanized

Service: Rated for use with CPVC fire sprinkler pipe.

- a) Can only be used as a guide on top of beam or on vertical piping.
- b) also acts as a restrainer to prevent the thrust of a sprinkler head during activation when mounted on top of structure.
- c) Includes flared edges to protect piping.
- d) Includes mounting screws.

Approvals: UL/ULC Listed

Ordering: Specify Part Number



Part Number	Nominal Pipe Size		D		A		B		C		E		HS		Max. Spacing	
	in.	mm	in.	mm	in.	mm	in.	mm	in.	mm	in.	mm	in.	mm	ft.	m
CPH02-027	3/4	DN20	1.050	26.7	2.24	57	3.22	82	1.18	30	1.18	30	0.228	5.8	5.5	1.68
CPH02-033	1	DN25	1.315	33.4	2.56	65	3.54	90	1.18	30	1.44	36.5	0.228	5.8	6	1.83
CPH02-042	1 1/4	DN32	1.660	42.2	3.15	80	4.13	105	1.18	30	1.79	45.5	0.228	5.8	6.5	1.98
CPH02-048	1 1/2	DN40	1.900	48.3	3.43	87	4.41	112	1.18	30	2.03	51.5	0.228	5.8	7	2.13
CPH02-060	2	DN50	2.375	60.3	3.94	100	4.92	125	1.18	30	2.50	63.5	0.228	5.8	8	2.44