

CPH01 -- One-Hole Wrap Around Strap

Size Range: 3/4" through 2"

Material: Carbon steel

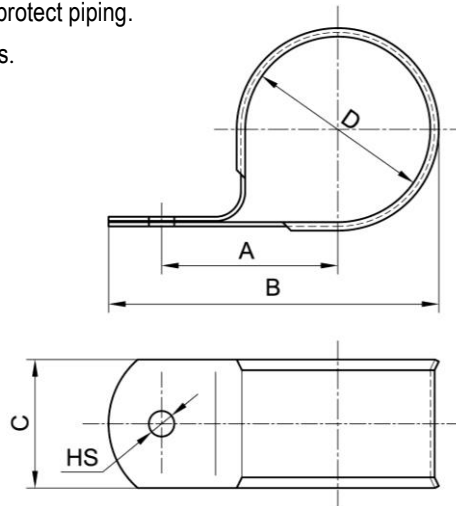
Finish: Pre-galvanized

Service: Rated for use with CPVC fire sprinkler pipe.

- a) Must be installed with the mounting tab oriented over top of piping on the side of a beam.
- b) Can only be used as a guide on top of beam or on vertical piping.
- c) Includes flared edges to protect piping.
- d) Includes mounting screws.

Approvals: UL/ULC Listed

Ordering: Specify Part Number



Part Number	Nominal Pipe Size		D		A		B		C		HS		Max. Spacing	
	in.	mm	in.	mm	in.	mm	in.	mm	in.	mm	in.	mm	ft.	m
	CPH01-027	3/4	DN20	1.050	26.7	1.26	32.0	2.36	60	1.18	30	0.228	5.8	5.5
CPH01-033	1	DN25	1.315	33.4	1.44	36.5	2.68	68	1.18	30	0.228	5.8	6	1.83
CPH01-042	1 1/4	DN32	1.660	42.2	1.63	41.5	3.07	78	1.18	30	0.228	5.8	6.5	1.98
CPH01-048	1 1/2	DN40	1.900	48.3	1.75	44.5	3.30	84	1.18	30	0.228	5.8	7	2.13
CPH01-060	2	DN50	2.375	60.3	1.99	50.5	3.80	97	1.18	30	0.228	5.8	8	2.44