

SWAY BRACE COMPONENTS

BLR02 – Swivel Attachment

Size Range: 3/8" or M10 rod

Material: Carbon steel

Finish: Zinc plated, other finish available upon request

Hanger Service: BLR02 designed to support horizontal piping from angled structures.

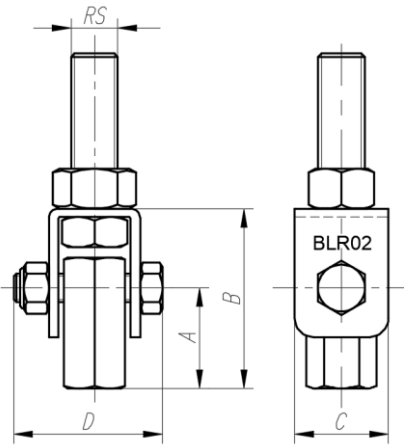
Listed for installation at angles between 0 and 90 degrees.

Restraint Service: May be installed as a branch line restraint per the requirements of NFPA 13. The BLR02 may be installed directly to the structure or to the SSB0103

Features: Full 90 degree rotation allows for installation at any angle.

Approvals: UL/ULc Listed

Ordering: Specify Part Number & Finish



Part Number	RS in.	A in.	B in.	C in.	D in.	Rod size In.	Max. Load lb
BLR02-3/8	3/8	0.90	1.61	0.79	1.38	3/8	680

Part Number	RS mm	A mm	B mm	C mm	D mm	Rod size mm	Max. Load N
BLR02-M10	M10	23	41	20	35	M10	3020