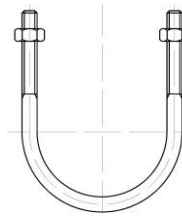
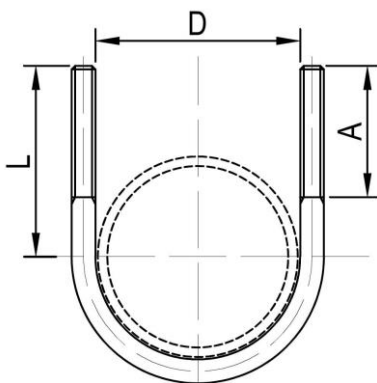


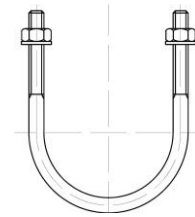


UB01 - U Type Bolts

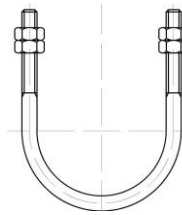
- Pipe Size Range:** 1/2" through 12" (DN15 through DN300)
- Rod Size Range:** 1/4" through 7/8" (M6 through M22)
- Material:** Carbon steel, Stainless steel 304 or 316
- Surface Finish:** Galvanized or Hot-dip galvanizing (Carbon steel)
- Features:** Includes 2 nuts or 4 nuts and 2 washers
- Ordering:** Specify Part Number & Pipe size
- Approvals:** UL/ULC Listed (Only carbon steel)



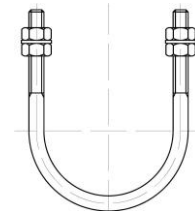
With 2 nuts



With 2 nuts & 2 washers



With 4 nuts



With 4 nuts & 2 washers

◆ **Part Number :**

UB01CS - 114 - 1/2 - 2N W

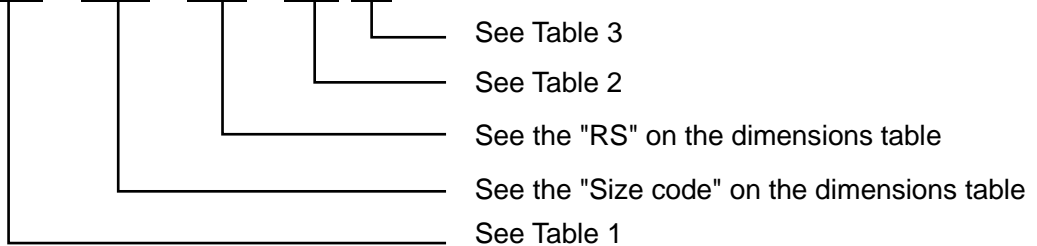


Table 1

Code	U-bolt material
CS	C.S Zinc plated
CSH	C.S Hot-dip galvanizing
CSP	C.S Plain
SS304	304SS
SS316	316SS

Table 2

Code	Nuts
2N	With 2 nuts
4N	With 4 nuts

Table 3

Code	Washers
N/A	No washer
W	With washers



Dimensions

Nominal Pipe Size		Size Code	RS		L		A		D		Carbon steel		Stainless steel	
NPS	DN		in.	mm	in.	mm	in.	mm	in.	mm	Max. Rec. Load	Max. Rec. Load	lbs	N
1/2"	15	022	1/4	M6	1.93	49	1.75	45	0.87	22.2	435	1930	240	1060
			3/8	M10	2.32	59	1.97	50	0.87	22.2	1090	4850	730	3240
3/4"	20	027	1/4	M6	2.05	52	1.75	45	1.10	28.0	435	1930	240	1060
			3/8	M10	2.68	68	1.97	50	1.10	28.0	1090	4850	730	3240
1"	25	034	1/4	M6	2.20	56	1.75	45	1.37	34.9	435	1930	240	1060
			3/8	M10	2.87	73	1.97	50	1.37	34.9	1090	4850	730	3240
1 1/4"	32	042	1/4	M6	2.36	60	1.75	45	1.72	43.6	435	1930	240	1060
			3/8	M10	2.87	73	2.52	64	1.72	43.6	1090	4850	730	3240
1 1/2"	40	048	1/4	M6	2.44	62	1.75	45	1.95	49.5	435	1930	240	1060
			3/8	M10	3.00	76	2.52	64	1.95	49.5	1090	4850	730	3240
2"	50	060	1/4	M6	2.68	68	1.75	45	2.44	61.9	435	1930	240	1060
			3/8	M10	3.27	83	2.52	64	2.44	61.9	1090	4850	730	3240
2 1/2"	65	073 (076)*	3/8	M10	3.07	78	2.00	51	3.06	77.7	1090	4850	730	3240
			1/2	M12	3.74	95	3.00	76	3.06	77.7	2020	8980	1350	6000
3"	80	089	3/8	M10	3.39	86	2.00	51	3.56	90.5	1090	4850	730	3240
			1/2	M12	4.02	102	3.00	76	3.56	90.5	2020	8980	1350	6000
4"	100	114	3/8	M10	3.86	98	2.00	51	4.56	115.9	1090	4850	730	3240
			1/2	M12	4.50	114	3.00	76	4.56	115.9	2020	8980	1350	6000
5"	125	141 (140)*	3/8	M10	4.57	116	2.25	57	5.63	142.9	1090	4850	730	3240
			1/2	M12	5.00	127	3.00	76	5.63	142.9	2020	8980	1350	9600
6"	150	168 (165)*	1/2	M12	5.08	129	2.25	57	6.75	171.5	2020	8980	1350	6000
			5/8	M16	6.14	156	3.35	85	6.75	171.5	3230	14370	2160	9600
8"	200	219	1/2	M12	6.06	154	2.25	57	8.75	222.3	2020	8980	1350	6000
			5/8	M16	7.13	181	3.35	85	8.75	222.3	3230	14370	2160	9600
10"	250	273	1/2	M12	7.56	192	2.50	64	10.87	276.2	2020	8980	1350	6000
			5/8	M16	7.24	184	2.50	64	10.87	276.2	3230	14370	2160	9600
12"	300	324	3/4	M20	8.39	213	4.02	102	10.87	276.2	4830	21490	3230	14300
			7/8	M22	9.61	244	4.02	102	12.87	327.0	4830	21490	3230	14300

* : The figures in brackets are BSP codes. **NOTE:** Load based on Max. 340°C (650°F)