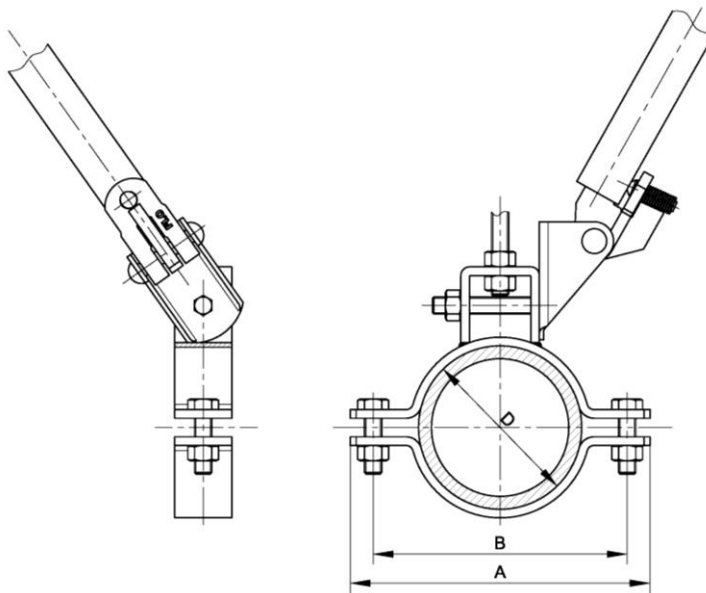


## SSB0302 – Yoke bracing Clamp

- **Function :** Braces pipe against sway or seismic disturbance. Versatile design provides ability to function in lateral or longitudinal direction at any angle.
- **Size:** Braces pipe from 2” to 8”.
- **Finish:** Zinc plated. Other finishes upon request.
- **Material:** Carbon steel
- **Installation:** Place SSB0302 around pipe to be braced, and position attachment as needed. Tighten clamping bolts. Insert bracing pipe into the attachment jaw and tighten the break-off bolt until the hex head breaks off.
- **Qualification:** Comply with NFPA 13 and UL listed.



### Dimensions

Pipe Size	D	A	B	Brace Member	Max. Design Load
in	mm	mm	mm		lbs. (kN)
2	60	154	146	1" SCH40 Pipe	1000 (4.45)
2 1/2	76	170	158	1" SCH40 Pipe	1000 (4.45)
3	89	183	176	1" SCH40 Pipe	1000 (4.45)
4	114	210	201	1" SCH40 Pipe	1000 (4.45)
5	140	236	231	1" SCH40 Pipe	1600 (7.15)
6	168	265	256	1" SCH40 Pipe	1600 (7.15)
8	219	315	334	1" SCH40 Pipe	2015 (8.96)