



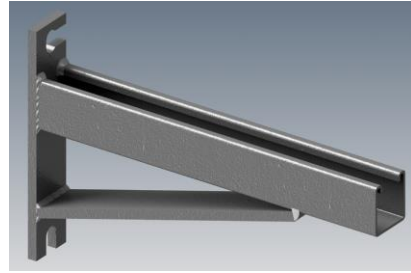
CANTILEVER BRACKET

CB01 - Cantilever Bracket

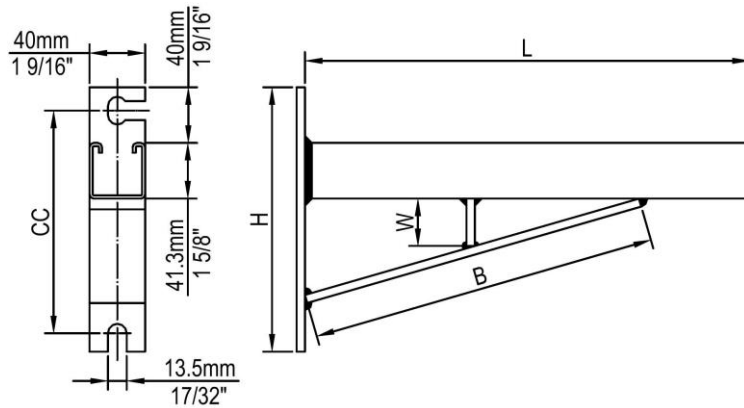
Material: Carbon steel

Finish: Zinc plated, other finish available upon request

Ordering: Specify Part Number



Part Number	CC		H		L		W		B		Design Uniform Load kN
	In.	mm	In.	mm	In.	mm	In.	mm	In.	mm	
CB01-320	6 ⁵ / ₁₆	160	7 ¹ / ₂	190	12 ⁵ / ₈	320	---	---	9 ¹³ / ₁₆	250	9.81
CB01-470	6 ⁵ / ₁₆	160	7 ¹ / ₂	190	18 ¹ / ₂	470	---	---	13 ³ / ₄	350	3.43
CB01-635	8 ¹ / ₄	210	9 ⁷ / ₁₆	240	25	635	2 ¹ / ₂	64	18 ¹ / ₈	460	3.35
CB01-780	8 ¹ / ₄	210	7 ¹ / ₂	240	30 ¹¹ / ₁₆	780	2 ¹ / ₂	64	22 ⁷ / ₁₆	570	1.72

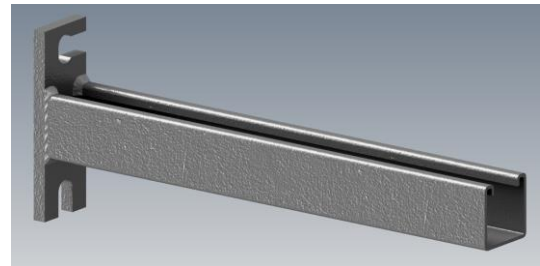


CB02 - Cantilever Bracket

Material: Carbon steel

Finish: Zinc plated, other finish available upon request

Ordering: Specify Part Number



Part Number	CC		H		L		Design Uniform Load kN
	In.	mm	In.	mm	In.	mm	
CB02-320	3 ⁹ / ₁₆	90	4 ³ / ₄	120	12 ⁵ / ₈	320	2.58
CB02-470	3 ⁹ / ₁₆	90	4 ³ / ₄	120	18 ¹ / ₂	470	1.72
CB02-635	3 ⁹ / ₁₆	90	4 ³ / ₄	120	25	635	1.29
CB02-780	3 ⁹ / ₁₆	90	4 ³ / ₄	120	30 ¹¹ / ₁₆	780	1.03

