

RISER CLAMPS

RC21 - Riser Clamps (For copper tube)

Size Range: 1/2" through 6"

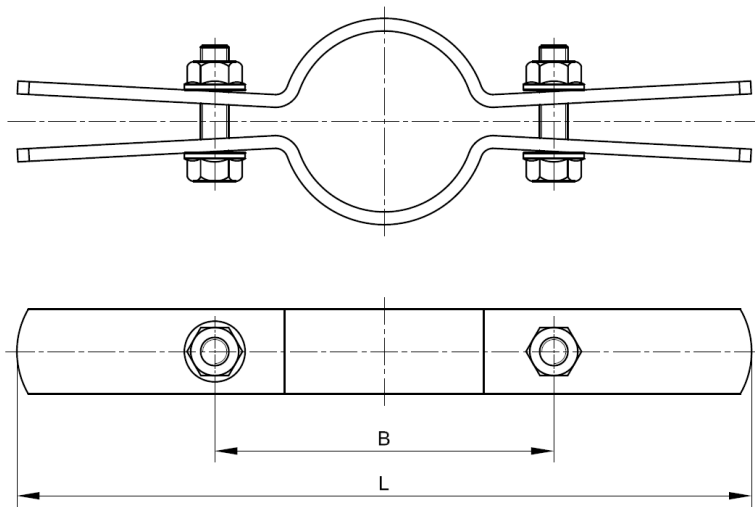
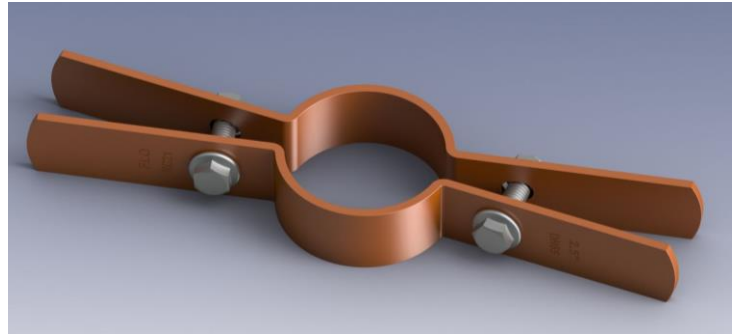
Material: Carbon steel

Finish: Copper color epoxy coated

Service:

- Recommend for suspension vertical steel pipe risers
- Complies with Federal Specification WW-H-171-E (Type 8) and MSS-SP-69 (Type 8).

Ordering: Specify Part Number



Part Number	Nominal Pipe Size		L		B		WT.		Max. Rec. Load	
	in.	mm	in.	mm	in.	mm	lb	kg	lbs	kN
RC21-015	1/2	DN15	8.50	216	2.36	60	0.68	0.31	75	0.33
RC21-020	3/4	DN20	9.29	236	3.15	80	0.75	0.34	75	0.33
RC21-025	1	DN25	9.33	237	3.19	81	0.86	0.39	120	0.53
RC21-032	1 1/4	DN32	9.49	241	3.19	81	1.16	0.53	150	0.67
RC21-040	1 1/2	DN40	9.65	245	3.35	85	1.18	0.54	150	0.67
RC21-050	2	DN50	10.43	265	4.29	109	1.30	0.59	150	0.67
RC21-065	2 1/2	DN65	11.22	285	5.08	129	1.38	0.63	300	1.34
RC21-080	3	DN80	11.89	302	5.75	146	1.49	0.68	300	1.34
RC21-100	4	DN100	12.52	318	6.38	162	1.67	0.76	300	1.34
RC21-150	6	DN150	15.16	385	9.02	229	5.27	2.39	600	2.67