

RC11 - Riser Clamps

Size Range: 1/2" through 12"

Material: Carbon steel

Finish: Gray epoxy coated

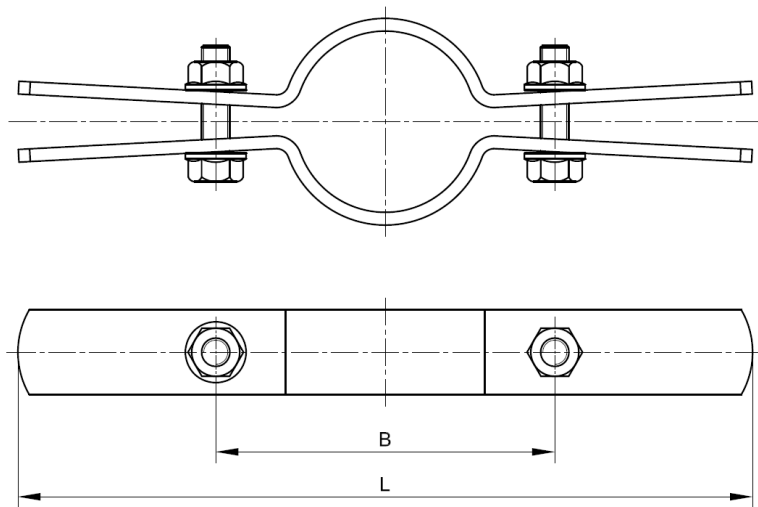
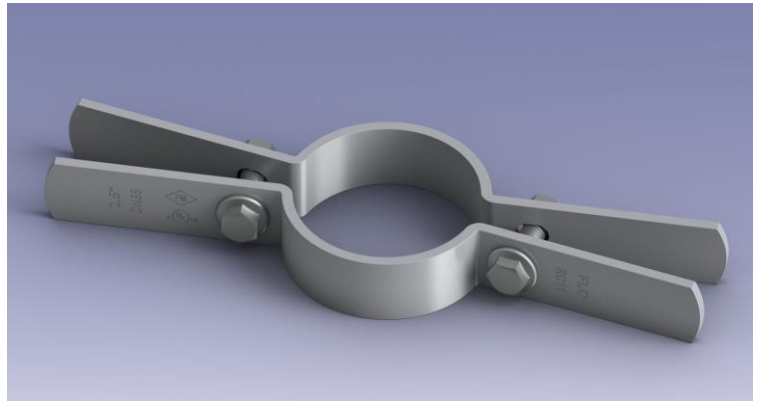
Service:

- Recommend for suspension vertical steel pipe risers

Approvals:

- Complies with Federal Specification A-A-1192A (Type 8)
WW-H-171-E (Type 8) and MSS-SP-69 (Type 8).
- FM approved (Sizes 3/4" through 8")
- UL/ULC Listed (Sizes 1/2" through 12")

Ordering: Specify Part Number



Part Number	Nominal Pipe Size		L		B		WT.		Max. Rec. Load	
	in.	mm	in.	mm	in.	mm	lb	kg	lbs	kN
RC11-015	1/2	DN15	8.46	215	2.17	55	0.65	0.29	220	0.98
RC11-020	3/4	DN20	8.98	228	2.68	68	0.71	0.32	220	0.98
RC11-025	1	DN25	9.06	230	2.76	70	0.73	0.33	220	0.98
RC11-032	1 1/4	DN32	9.45	240	3.15	80	0.77	0.35	250	1.11
RC11-040	1 1/2	DN40	9.88	251	3.58	91	0.81	0.37	250	1.11
RC11-050	2	DN50	10.24	260	3.94	100	1.44	0.65	300	1.33
RC11-065	2 1/2	DN65	11.02	280	4.72	120	1.56	0.71	400	1.78
RC11-080	3	DN80	11.73	298	5.43	138	1.79	0.81	500	2.22
RC11-100	4	DN100	12.91	328	7.09	180	3.05	1.38	750	3.33
RC11-125	5	DN125	14.25	362	8.43	214	3.41	1.55	1500	6.67
RC11-150	6	DN150	15.51	394	9.69	246	4.78	2.17	1600	7.11
RC11-200	8	DN200	18.27	464	12.28	312	9.23	4.19	2500	11.12
RC11-250	10	DN250	20.12	511	14.13	359	10.39	4.71	2500	11.12
RC11-300	12	DN300	22.36	568	15.98	406	16.09	7.30	2700	12.01