



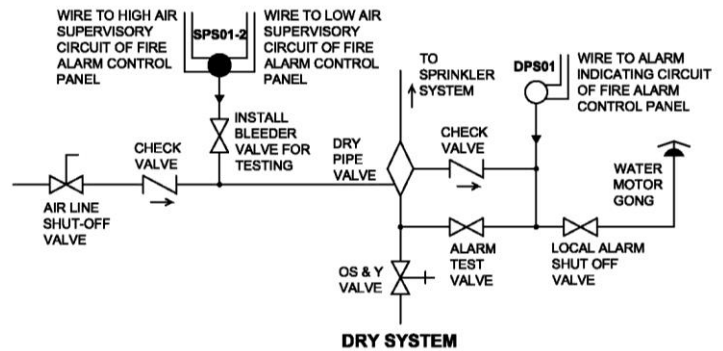
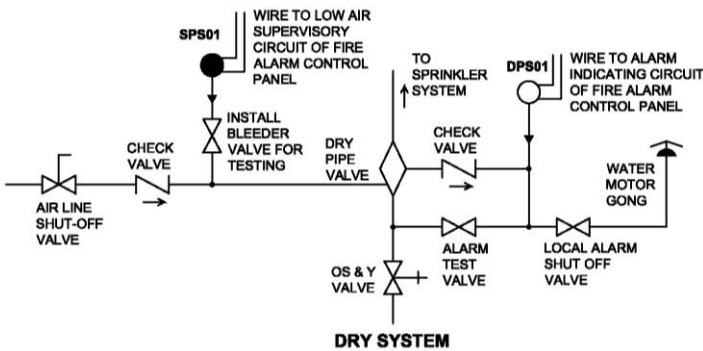
# Fire Alarm Equipment

## SPS01 – Supervisory Pressure Switch

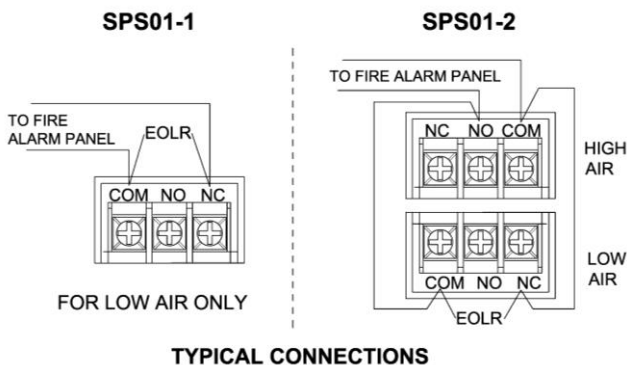
- Maximum System Pressure: 300 PSI (2.07 MPa)
- Factory Setting: SPS01-1 operates upon decreasing pressure at 30 psi  
SPS01-2 operates upon increasing pressure at 50 psi and upon decreasing pressure at 30 psi
- Differential: Approximately 3 psi @ 10 psi, 6 psi @ 100 psi
- Maximum Adjustment Pressure Range: 10 to 60 psi
- Contact Ratings: SPS01-1: One set SPDT (Form C)  
SPS01-2: Two sets of SPDT (Form C)  
10.1 Amps at 125 / 250 VAC  
2.0 Amps at 24 VDC
- Operating Temperature Range: -40 °F to 160 °F (-40 °C to 71 °C)
- Enclosure Rating: NEMA 4- suitable for indoor/outdoor use
- Conduit Entrances: One opening for 1/2" conduit
- Pressure Connection: Nylon 1/2" NPT Male
- Service Use: Automatic Sprinkler: NFPA-13  
One or Two Family Dwelling: NFPA-13D  
Residential Occupancies up to 4 stories: NFPA-13R  
National Fire Alarm Code: NFPA-72
- Cover Material: Aluminum Die-casting. Alternative Material Plastic



### Typical Sprinkler Applications:



### Field Typical Electrical Connections:



### Model and Size:

Model	Description	Weight(kg)
SPS01-1	One set SPDT contacts	0.5
SPS01-2	Two sets SPDT contacts	0.5

