

CH02R - Light Duty Clevis Hanger With Rubber Lining

Size Range: 1/2" through 12"

Material: Carbon steel

Finish: Galvanized, other finish available upon request

Service: Recommend for suspension of non-insulated stationary pipe line

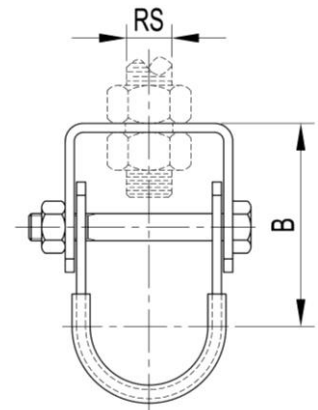
Approvals:

- Complies Manufacturers Standardization Society
MSS-SP-58 (Type 1) and MSS-SP-69 (Type 1).

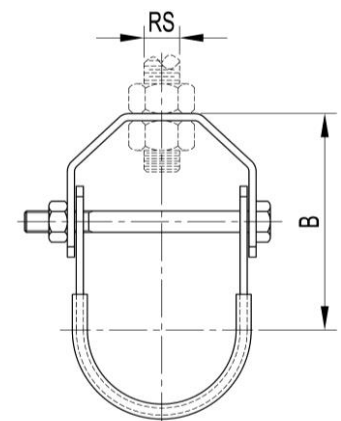
Ordering: Specify Part Number



| Part Number | Nominal Pipe Size | | RS | | B | | Wt. | | Max. Rec. Load | |
|-------------|-------------------------------|-------|------|-----|--------------------------------|-------------------------------|-------|-------|----------------|------|
| | in. | mm | in. | mm | in. | mm | lb | kg | lbs | kN |
| | CH02R-015 | 1/2 | DN15 | 3/8 | M10 | 1 ³ / ₅ | 40 | 0.097 | 0.044 | 150 |
| CH02R-020 | 3/4 | DN20 | 3/8 | M10 | 1 ⁹ / ₁₀ | 48 | 0.11 | 0.050 | 150 | 0.67 |
| CH02R-025 | 1 | DN25 | 3/8 | M10 | 2 | 51 | 0.12 | 0.054 | 250 | 1.11 |
| CH02R-032 | 1 ¹ / ₄ | DN32 | 3/8 | M10 | 2 ³ / ₈ | 60 | 0.21 | 0.097 | 250 | 1.11 |
| CH02R-040 | 1 ¹ / ₂ | DN40 | 3/8 | M10 | 2 ⁷ / ₈ | 73 | 0.22 | 0.10 | 250 | 1.11 |
| CH02R-050 | 2 | DN50 | 3/8 | M10 | 3 ¹ / ₄ | 82 | 0.26 | 0.12 | 250 | 1.11 |
| CH02R-065 | 2 ¹ / ₂ | DN65 | 1/2 | M12 | 3 ⁵ / ₈ | 92 | 0.42 | 0.19 | 350 | 1.56 |
| CH02R-080 | 3 | DN80 | 1/2 | M12 | 4 | 100 | 0.49 | 0.22 | 350 | 1.56 |
| CH02R-100 | 4 | DN100 | 1/2 | M12 | 5 ¹ / ₅ | 132 | 0.91 | 0.41 | 400 | 1.78 |
| CH02R-125 | 5 | DN125 | 1/2 | M12 | 3 ⁴ / ₉ | 87 | 1.17 | 0.53 | 500 | 2.22 |
| CH02R-150 | 6 | DN150 | 5/8 | M16 | 4 | 101 | 2.07 | 0.94 | 700 | 3.11 |
| CH02R-200 | 8 | DN200 | 5/8 | M16 | 5 ¹ / ₈ | 130 | 3.19 | 1.45 | 1000 | 4.45 |
| CH02R-250 | 10 | DN250 | 3/4 | M20 | 6 ⁹ / ₁₆ | 167 | 7.36 | 3.34 | 1400 | 6.22 |
| CH02R-300 | 12 | DN300 | 3/4 | M20 | 7 ⁵ / ₈ | 194 | 10.35 | 4.70 | 1400 | 6.22 |



1/2"~1" DN15~DN25



1¹/₄"~12" DN32~DN300