

CH02 - Light Duty Clevis Hanger

Size Range: 1/2" through 12"

Material: Carbon steel

Finish: Galvanized, other finish available upon request

Service: Recommend for suspension of non-insulated stationary pipe line

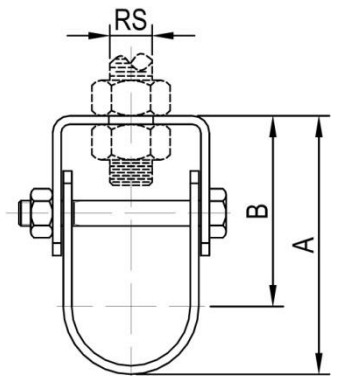
Approvals:

- Complies with Federal Specification, WW-H-171-E (Type 12) and MSS-SP-58 (Type 1).
- UL/ULC Listed (Sizes 1/2" through 8")

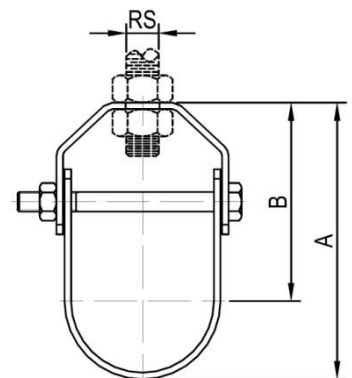
Ordering: Specify Part Number



Part Number	Nominal Pipe Size		RS		A		B		Wt.		Max. Rec. Load	
	in.	mm	in.	mm	in.	mm	in.	mm	lb	kg	lbs	kN
	CH02-015	1/2	DN15	3/8	M10	2 ¹ / ₂₀	52	1 ³ / ₅	40	0.097	0.044	150
CH02-020	3/4	DN20	3/8	M10	2 ¹ / ₂	63	1 ⁹ / ₁₀	48	0.11	0.050	150	0.67
CH02-025	1	DN25	3/8	M10	2 ⁴ / ₅	70	2	51	0.12	0.054	250	1.11
CH02-032	1 ¹ / ₄	DN32	3/8	M10	3 ⁵ / ₁₆	84	2 ³ / ₈	60	0.21	0.097	250	1.11
CH02-040	1 ¹ / ₂	DN40	3/8	M10	3 ¹⁵ / ₁₆	100	2 ⁷ / ₈	73	0.22	0.10	250	1.11
CH02-050	2	DN50	3/8	M10	4 ¹ / ₂	114	3 ¹ / ₄	82	0.26	0.12	250	1.11
CH02-065	2 ¹ / ₂	DN65	1/2	M12	5 ¹ / ₄	133	3 ⁵ / ₈	92	0.42	0.19	350	1.56
CH02-080	3	DN80	1/2	M12	6	150	4	100	0.49	0.22	350	1.56
CH02-100	4	DN100	1/2	M12	7 ⁷ / ₁₀	196	5 ¹ / ₅	132	0.91	0.41	400	1.78
CH02-125	5	DN125	1/2	M12	9 ³ / ₅	244	3 ⁴ / ₉	87	1.17	0.53	500	2.22
CH02-150	6	DN150	5/8	M16	11 ³ / ₅	294	4	101	2.07	0.94	700	3.11
CH02-200	8	DN200	5/8	M16	13 ¹⁰ / ₁₁	354	5 ¹ / ₈	130	3.19	1.45	1000	4.45
CH02-250	10	DN250	3/4	M20	17	432	6 ⁹ / ₁₆	167	7.36	3.34	1400	6.22
CH02-300	12	DN300	3/4	M20	19 ¹⁵ / ₁₆	506	7 ⁵ / ₈	194	10.35	4.70	1400	6.22



1/2"~1" DN15~DN25



1 1/4"~12" DN32~DN300

