

CH21 - Clevis Hanger (For copper tube)

Size Range: 1/2" through 6"

Material: Carbon steel

Finish: Copper color epoxy coated

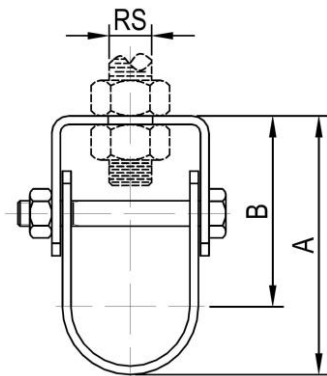
Service:

- Recommend for suspension of non-insulated stationary pipe line.
- Complies with Federal Specification WW-H-171-E (Type 1) and MSS-SP-69 (Type 1).

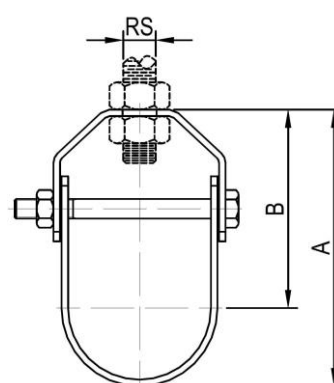
Ordering: Specify Part Number



Part Number	Nominal Pipe Size		RS		A		B		Wt.		Max. Rec. Load	
	in.	mm	in.	mm	in.	mm	in.	mm	lb	kg	lbs	kN
CH21-015	1/2	DN15	3/8	M10	1.89	48	1.50	38	0.09	0.04	150	0.67
CH21-020	3/4	DN20	3/8	M10	2.05	52	1.61	41	0.10	0.05	250	1.11
CH21-025	1	DN25	3/8	M10	2.52	64	1.89	48	0.13	0.06	250	1.11
CH21-032	1 1/4	DN32	3/8	M10	2.95	75	2.17	55	0.15	0.07	250	1.11
CH21-040	1 1/2	DN40	3/8	M10	3.35	85	2.44	62	0.18	0.08	250	1.11
CH21-050	2	DN50	3/8	M10	4.17	106	3.03	77	0.21	0.10	250	1.11
CH21-065	2 1/2	DN65	1/2	M12	5.28	134	3.90	99	0.51	0.23	350	1.56
CH21-080	3	DN80	1/2	M12	5.67	144	4.02	102	0.57	0.26	350	1.56
CH21-100	4	DN100	1/2	M12	6.61	168	4.45	113	0.70	0.32	400	1.78
CH21-125	5	DN125	1/2	M12	9.21	234	6.50	165	1.50	0.68	500	2.23
CH21-150	6	DN150	5/8	M16	11.10	282	7.87	200	1.80	0.82	550	2.45



1/2" ~ 1 1/2" DN15 ~ DN40



2" ~ 6" DN50 ~ DN150