

### CH11 - Clevis Hanger

**Size Range :** 1/2" through 24"

**Material :** Carbon steel

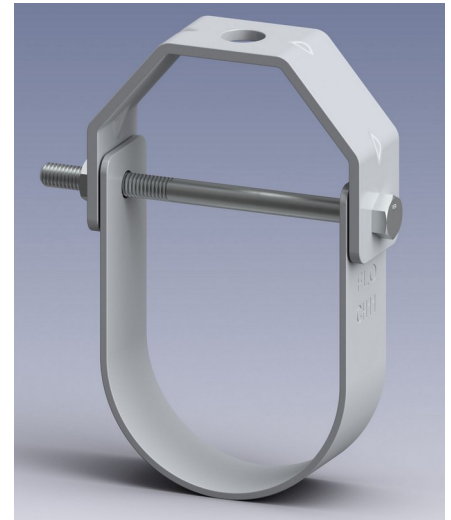
**Finish :** Gray epoxy coated

**Service :** Recommend for suspension of non-insulated stationary pipe line

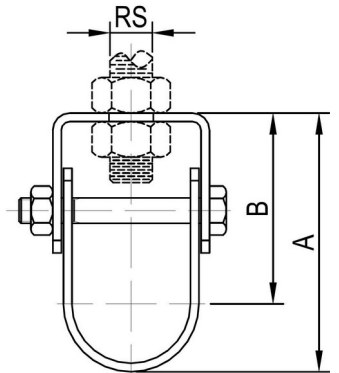
**Approvals :**

- Complies with Federal Specification A-A-1192A (Type 1), WW-H-171-E (Type 1) and MSS-SP-69 (Type 1).
- FM approved (Sizes 3/4" through 8")
- UL/ULC Listed (Sizes 1/2" through 8")

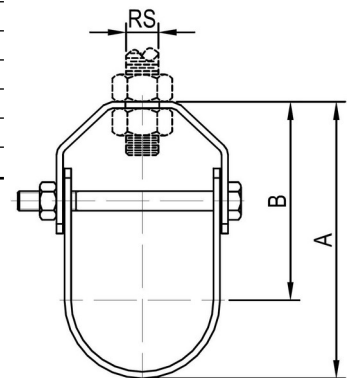
**Ordering :** Specify Part Number



Part Number	Nominal Pipe Size		RS		A		B		Wt.		Max. Rec. Load	
	in.	mm	in.	mm	in.	mm	in.	mm	lb	kg	lbs	kN
CH11-015	1/2	DN15	3/8	M10	2.13	54	1.57	40	0.15	0.07	610	2.71
CH11-020	3/4	DN20	3/8	M10	2.40	61	1.77	45	0.18	0.08	610	2.71
CH11-025	1	DN25	3/8	M10	2.83	72	2.09	53	0.20	0.09	730	3.24
CH11-032	1 1/4	DN32	3/8	M10	3.39	86	2.44	62	0.29	0.13	730	3.24
CH11-040	1 1/2	DN40	3/8	M10	3.86	98	2.80	71	0.32	0.15	730	3.24
CH11-050	2	DN50	3/8	M10	4.57	116	3.27	83	0.39	0.18	730	3.24
CH11-065	2 1/2	DN65	1/2	M12	5.16	131	3.50	89	0.67	0.30	1350	6.0
CH11-080	3	DN80	1/2	M12	6.02	153	4.13	105	0.83	0.38	1350	6.0
CH11-090	3 1/2	DN90	1/2	M12	6.54	166	4.41	112	0.91	0.41	1350	6.0
CH11-100	4	DN100	5/8	M16	7.56	192	5.16	131	1.25	0.57	1430	6.36
CH11-125	5	DN125	5/8	M16	9.37	238	6.38	162	2.03	0.92	1430	6.36
CH11-150	6	DN150	3/4	M20	10.63	270	7.05	179	3.56	1.61	1940	8.63
CH11-200	8	DN200	3/4	M20	13.23	336	8.66	220	4.89	2.22	2000	8.89
CH11-250	10	DN250	7/8	M24	15.75	400	10.00	254	8.64	3.92	3600	16.0
CH11-300	12	DN300	7/8	M24	18.86	479	12.13	308	10.18	4.62	3800	16.9
CH11-350	14	DN350	1	M27	21.38	543	13.66	347	18.15	8.23	4200	18.6
CH11-400	16	DN400	1	M27	23.70	602	14.96	380	23.84	10.81	4600	20.4
CH11-450	18	DN450	1 1/8	M30	27.13	689	17.40	442	26.79	12.15	4800	21.3
CH11-500	20	DN500	1 1/4	M33	30.04	763	19.13	486	43.53	19.75	4800	21.3
CH11-600	24	DN600	1 1/4	M33	34.13	867	21.22	539	50.39	22.86	4800	21.3



1/2"~1 1/4" DN15~DN32



1 1/2"~24" DN40~DN600

