

### CH01 - Clevis Hanger

**Size Range:** 1/2" through 24"

**Material:** Carbon steel

**Finish:** Galvanized, other finish available upon request

**Service:** Recommend for suspension of non-insulated stationary pipe line

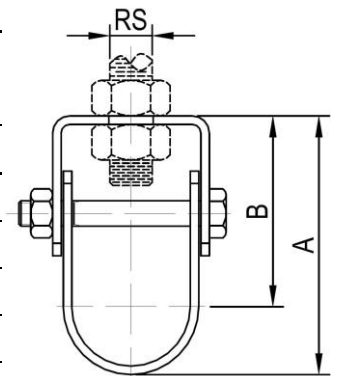
**Approvals:**

- Complies with Federal Specification A-A-1192A (Type 1), WW-H-171-E (Type 1) and MSS-SP-69 (Type 1).
- FM approved (Sizes 3/4" through 8")
- UL/ULC Listed (Sizes 1/2" through 8")

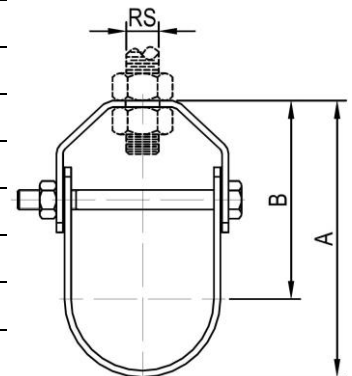
**Ordering:** Specify Part Number



Part Number	Nominal Pipe Size		RS		A		B		Wt.		Max. Rec. Load	
	in.	mm	in.	mm	in.	mm	in.	mm	lb	kg	lbs	kN
	CH01-015	1/2	DN15	3/8	M10	2 1/8	54	1 5/8	41	0.15	0.07	610
CH01-020	3/4	DN20	3/8	M10	2 3/8	61	1 3/4	45	0.18	0.08	610	2.71
CH01-025	1	DN25	3/8	M10	2 3/4	69	2	50	0.20	0.09	730	3.24
CH01-032	1 1/4	DN32	3/8	M10	3 5/16	84	2 3/8	61	0.24	0.11	730	3.24
CH01-040	1 1/2	DN40	3/8	M10	3 15/16	100	2 7/8	73	0.26	0.12	730	3.24
CH01-050	2	DN50	3/8	M10	4 1/2	114	3 1/4	82	0.31	0.14	730	3.24
CH01-065	2 1/2	DN65	1/2	M12	5 1/4	133	3 5/8	92	0.82	0.37	1350	6.0
CH01-080	3	DN80	1/2	M12	6	152	4 1/8	105	0.93	0.42	1350	6.0
CH01-100	4	DN100	5/8	M16	7 3/4	197	5 3/8	137	1.30	0.59	1430	6.36
CH01-125	5	DN125	5/8	M16	9 3/4	248	6 13/16	173	2.25	1.02	1430	6.36
CH01-150	6	DN150	3/4	M20	11 3/4	298	8 1/4	209	3.26	1.48	1940	8.63
CH01-200	8	DN200	3/4	M20	14 1/16	357	9 1/2	242	4.45	2.02	2000	8.89
CH01-250	10	DN250	7/8	M24	17 1/5	436	11 1/2	291	8.82	4.0	3600	16.0
CH01-300	12	DN300	7/8	M24	20	508	13 1/4	337	11.91	5.4	3800	16.9
CH01-350	14	DN350	7/8	M24	21 15/16	556	14 1/2	368	15.44	7.0	4200	18.6
CH01-400	16	DN400	1 1/8	M30	24 4/5	630	16 3/4	415	23.81	10.8	4600	20.4
CH01-450	18	DN450	1 1/8	M30	27 5/8	701	18	457	26.24	11.9	4800	21.3
CH01-500	20	DN500	1 1/8	M30	30	761	19 2/5	493	32.19	14.6	4800	21.3
CH01-550	22	DN550	1 1/8	M30	33 1/2	850	21 3/5	549	43.88	19.9	4800	21.3
CH01-600	24	DN600	1 1/8	M30	36 11/32	923	23 1/5	589	51.82	23.5	4800	21.3



1/2"~1" DN15~DN25



1 1/4"~24" DN32~DN600

