



SWIVEL HANGER

SH03 - Swivel Hanger (*Heavy Duty type*)

Size Range: 2" through 8"

Material: Carbon steel

Finish: Zinc plated, other finish available upon request

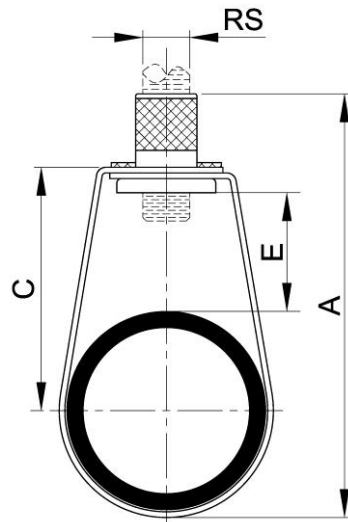
Service:

- Recommend for suspension of non-insulated stationary pipe line
- Manufactured to use the min. rod size permitted by NFPA for fire sprinkler pipe line

Approvals:

- Complies with Federal Specification A-A-1192A (Type 10) WW-H-171-E (Type 10) and MSS-SP-69 (Type 10).
- FM approved & UL/ULC Listed

Ordering: Specify Part Number



Part Number	Nominal Pipe Size		RS		A		E		C		Wt.		Max. Rec. Load	
	in.	mm	in.	mm	in.	mm	in.	mm	in.	mm	lb	kg	lbs	N
SH03-050	2	DN50	1/2	M12	4.53	115	1.02	26	2.48	63	0.19	0.10	1250	5560
SH03-065	2 1/2	DN65	1/2	M12	5.51	140	1.50	38	3.19	81	0.33	0.15	1250	5560
SH03-080	3	DN80	1/2	M12	6.42	163	1.81	46	3.86	98	0.4	0.18	1250	5560
SH03-090	3 1/2	DN90	1/2	M12	6.85	174	1.73	44	4.06	103	0.42	0.19	1250	5560
SH03-100	4	DN100	5/8	M16	7.60	193	1.89	48	4.45	113	0.49	0.22	1250	5560
SH03-125	5	DN125	5/8	M16	8.98	228	2.20	56	5.28	134	0.55	0.25	1250	5560
SH03-150	6	DN150	3/4	M20	10.43	265	2.36	60	6.02	153	0.88	0.40	1250	5560
SH03-200	8	DN200	7/8	M22	13.19	335	3.07	78	7.76	197	1.04	0.47	1250	5560